

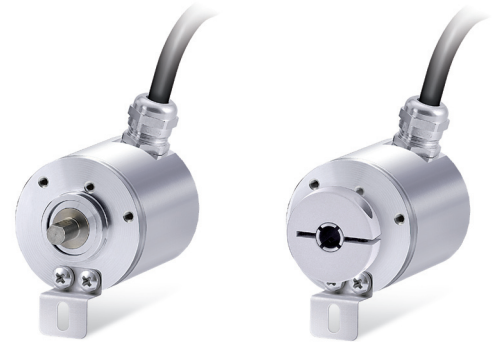
ROTACOD

Absolute single turn encoders

Series

AS36 • ASC36

- Miniature optical single turn encoder
- Resolution up to 524288 cpr (19 bit)
- High degree of protection, IP67
- M12 inline connector



AS36-ASC36

ENVIRONMENTAL SPECIFICATIONS

Shock:	100 g, 6 ms (acc. to MIL STD 202F)
Vibrations:	10 g, 5-2000 Hz (acc. to MIL STD 202F)
Operating temperature range:	-25°C +85°C (-13°F +185°F)
Storage temperature range:	-40°C +100°C (-40°F +212°F) (98% R.H.without condensation)
Protection:	IP67, IP65 shaft side
Option:	• Operating temperature range: -40°C + 100°C (-40°F +212°F)

MECHANICAL SPECIFICATIONS

Dimensions:	see drawing
Shaft:	∅ 6 mm
Hollow shaft:	∅ 6 mm
Shaft loading (axial and radial):	40 N max.
Shaft rotational speed:	6000 rpm
Bearing life:	400x10 ⁶ rev. min. (10 ⁹ rev. min. with shaft loading of 20 N max.)
Weight:	~ 0,2 kg (7,0 oz)
Electrical connections:	cable 1 m
Option:	• 0,5 m or 2 m cable with M12 8 pin plug

ELECTRICAL SPECIFICATIONS

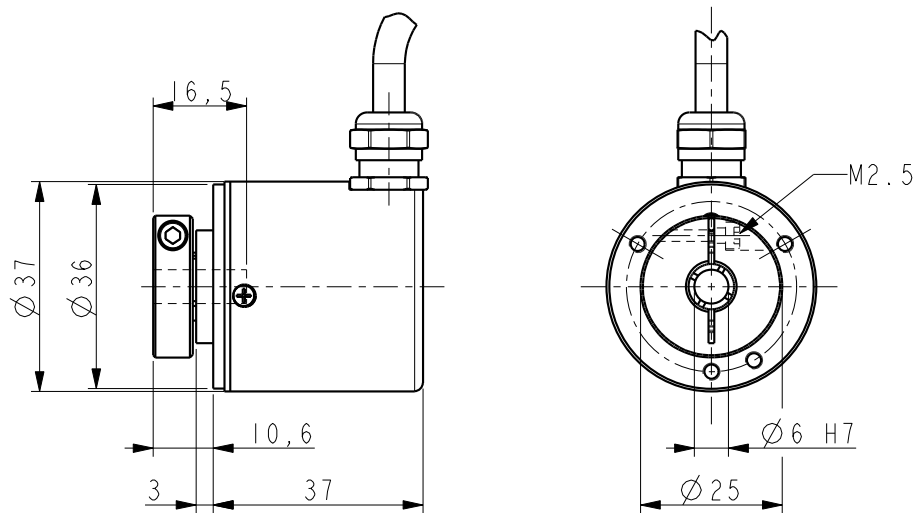
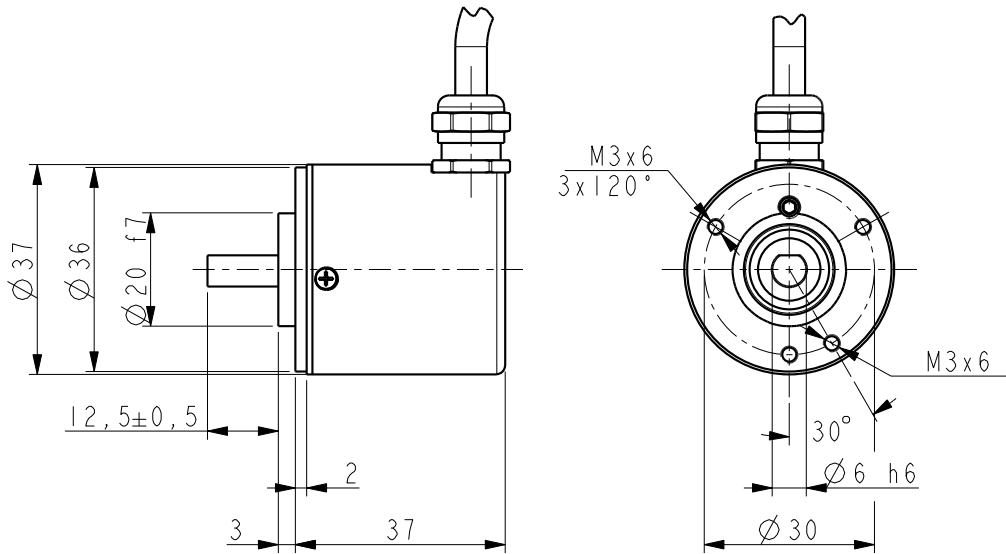
Resolution:	65536, 131072, 524288 cpr
Output code:	Gray, Binary
Power supply:	+10V +30V
Power consumption:	0,5 W
Output circuits:	SSI (RS422), clock rate < 4 MHz BiSS-C, clock rate < 10 MHz
Counting frequency:	> 100 kHz
Accuracy:	± 0,01° @ 16 bit resolution
Protection:	against inversion of polarity and short-circuit
EMC:	according to: EN-61000-4-2/A1 EN-61000-4-4
Optoelectronic life:	> 100.000 h min.
Functions:	• Counting direction (input) • Zero setting/Preset (input)

MATERIALS

Flange:	non corroding, UNI EN AW-6082
Housing:	non corroding, UNI EN AW-6082
Bearings:	ABEC 5
Shaft:	stainless steel, non magnetic, UNI EN 4305

ACCESSORIES

PAN:	flexible couplings
LKM-386:	fixing clamps



AS36-ASC36

Order code

Additional code

AS36 ASC36	XX Ⓐ	/	XX Ⓑ	X Ⓒ	-	XX Ⓓ	X Ⓔ	/Sxxx Ⓕ
---------------	---------	---	---------	--------	---	---------	--------	------------

Ⓐ RESOLUTIONS

16 = 65536 cpr
17 = 131072 cpr
19 = 524288 cpr

Ⓑ OUTPUT

BG = Binary, SSI MSB aligned
GG = Gray, SSI MSB aligned
I7 = BiSS C-mode

Ⓒ SHAFT DIAMETER

6 = 6 mm

Ⓓ CONNECTIONS

L1 = cable output 1 m
L2 = cable output 2 m
M0,5 = 0,5 m cable + M12 plug
M2 = 2 m cable + M12 plug

Ⓔ OPERATING TEMPERATURE RANGE

K = -40°C +100°C (-40°F +212°F)

Ⓕ CUSTOM VERSION