

ROTAPULS

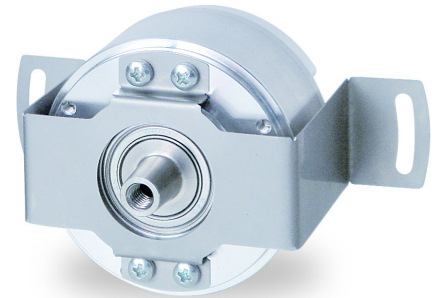
Feedback encoder for servo motors

series

CB60



- Feedback encoder for servo and gearless motors
- 2048 sin/cos output
- C, D absolute track



CB60

ENVIRONMENTAL SPECIFICATIONS

Shock:	100 g, 6 ms (acc. to MIL STD 202F)
Vibrations:	10 g, 5-2000 Hz (acc. to MIL STD 202F)
Operating temperature range:	-20°C+100°C (-4°F +212°F)
Storage temperature range:	-20°C+100°C (-4°F +212°F) (98% R.H.without condensation)
Protection:	IP40

MECHANICAL SPECIFICATIONS

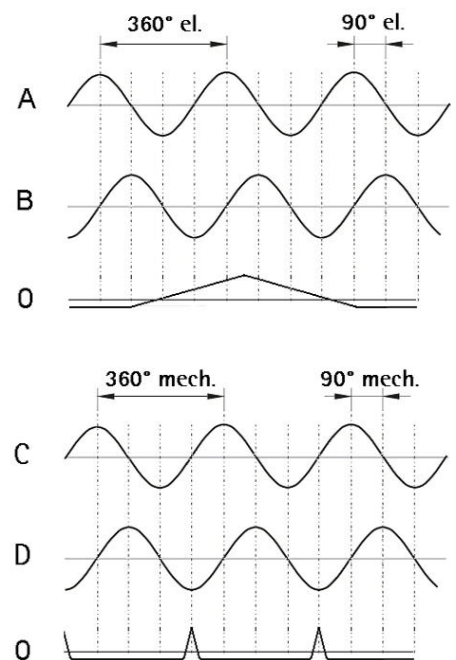
Dimensions:	see drawing
Shaft:	1:10 taper shaft
Shaft loading (axial and radial):	40 N max.
Shaft rotational speed:	12000 rpm max.
Starting torque at 20°C:	~ 0,8 Ncm (typical)
Moment of inertia:	~30 gcm ²
Bearings life:	2 x 10 ⁹ rev. min.
Weight:	~ 0,4 kg (14,1 oz)
Electrical connections:	PCB connector (connection cable to be ordered separately)

ELECTRICAL SPECIFICATIONS

STD pulse rate (other PPR upon request):	2048 + Z-track
Power supply:	+5V±5%
Output circuits:	1Vpp
Output current (per channel):	40 mA max.
Output frequency:	300 kHz max.
Input current:	130 mA max.
Optoelectronic life:	100.000 hrs min.

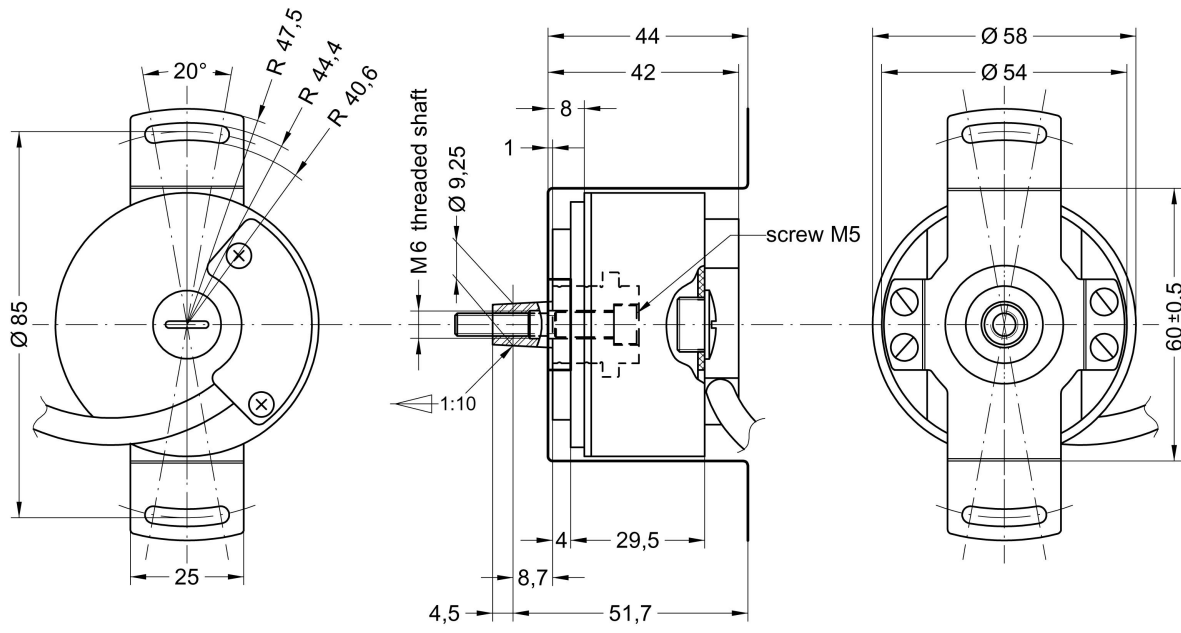
MATERIALS

Flange:	non corroding, UNI EN AW-6082
Housing:	non corroding, UNI EN AW-6082
Bearings:	ABEC 5
Shaft:	stainless steel, non-magnetic - UNI EN 4305
Light source:	GaAl diodes



ACCESSORIES

EC-CB59-1	Connection cable 1 m
EC-CB59-4	Connection cable 4 m
EC-CB59-7	Connection cable 7 m



CB60

ORDERING CODE

