

POSICONTROL

Single axis LED position display



series

LD200



- Universal position display
- Incremental, 1 Vpp and SSI input
- Easy parameter set-up
- 500 kHz counting frequency
- RS232 interface



LD200



www.lika.biz

- Data-sheet
- User manual
- Interface's software

PARAMETERS

Display mode: mm/inch/fractional, angular, offset value, preset, resolution and decimal point

ENVIRONMENTAL SPECIFICATIONS

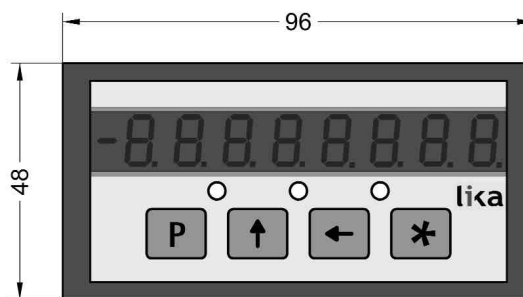
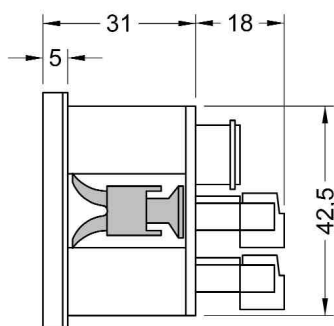
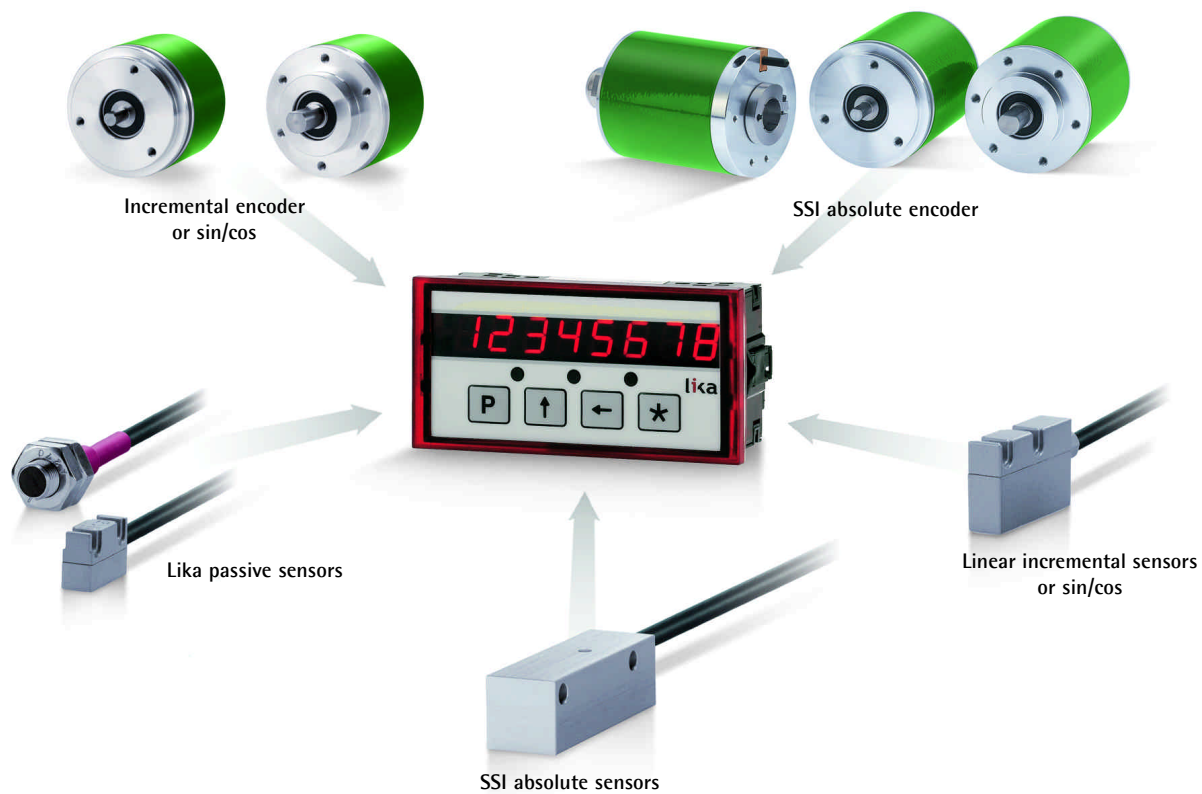
Operating temperature range: 0°C +70°C (+32°F, +158°F)
Storage temperature range: -20°C +80°C (-4°F, +176°F)
Protection: IP53 front, IP20 back

MECHANICAL SPECIFICATIONS

Dimensions: 96 x 48 x 69 mm³
Cut out: 90 x 44 mm²
Display: LED, 8 digits x 10 mm (-99999999 ÷ 99999999)

ELECTRICAL SPECIFICATIONS

Power supply: 24Vdc ± 20%
Consumption: 4,5 W
Counting frequency: 500 kHz max. (incremental signals)
6 kHz max. (sin/cos signals)
Sensor input: Push-Pull, Line Driver, 1Vpp
SSI absolute encoder, SMx magnetic sensor
Interface: RS232
Outputs (digital): 3 x 24V @ 23 mA max.
Input (digital): 1 x Vin max. 30Vdc



ORDERING CODE

