

# Condensate Pots and Vessels

CP, SV Series



## **FITOK Group**

### **FITOK GmbH (Headquarter)**

Sprendlinger Landstr. 115, 63069 Offenbach, Germany  
Tel.: +49 69 8900 4498  
Fax: +49 69 8900 4495

### **FITOK INC.**

13000 Murphy Road, Suite 116, Stafford, TX 77477, USA  
Tel.: +1 281 888 0077  
Fax: +1 281 888 0033

### **FITOK INCORPORATED**

Yingtailong Industrial Park, Shenzhen, 518109, China  
Tel.: +86 755 2803 2500  
Fax: +86 755 2803 2619

info@fitokgroup.com  
www.fitokgroup.com

FI19040813

**FITOK**  
Valves and Fittings

www.fitokgroup.com

# Contents

Condensate Pots CP Series	01
Vessels SV Series	04

## Condensate Pots

### CP Series

CP series condensate pots are designed to trap condensate and foreign matter that may accumulate in gaseous service lines, and prevent damage to the sensitive instrumentation components. They are also effective for providing a liquid seal on steam and corrosive line NO COMMA, widely used in refineries, power plants, chemical and petrochemical, steel plants and other process industries.

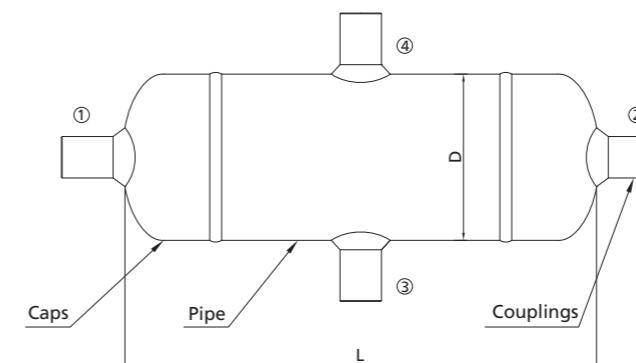
### Features

- ⦿ Use as liquid or condensate traps, seal pots, vapor chambers and knockout pots.
- ⦿ All connectors are furnished with plastic plugs.
- ⦿ Chambers are made from seamless pipe and weld caps.
- ⦿ Full-penetration gas tungsten arc -weld construction to ensure great strength and leak-tight performance.
- ⦿ High and low pressure rating options.

### Technical Data

- ⦿ Maximum working pressure: Class 2500
- ⦿ Socket weld connection as per ANSI B16.11
- ⦿ Butt welding ends as per ANSI B16.9
- ⦿ NPT as per ANSI B2.1 taper pipe thread
- ⦿ All chambers are factory tested fully prior to shipment
- ⦿ Standard material of construction: 316 SS, 304 SS, Carbon steel
- ⦿ Pipe schedule: 40, 80, 160, XXS seamless steel
- ⦿ Variety of end connections available

### Materials of Construction



Material	Pipe	Cap
316 SS	TP316/A312	F316/A182
321 SS	TP321/A312	F321/A182
304 SS	304 SS/A312	F304/A182
CS	A106	A105
316L SS	TP316L/A312	F316L/A182
304L SS	TP304L/A312	F304L/A182
P11	P11/A335	F11/A182
P22	P22/A335	F22/A182

## Dimensions

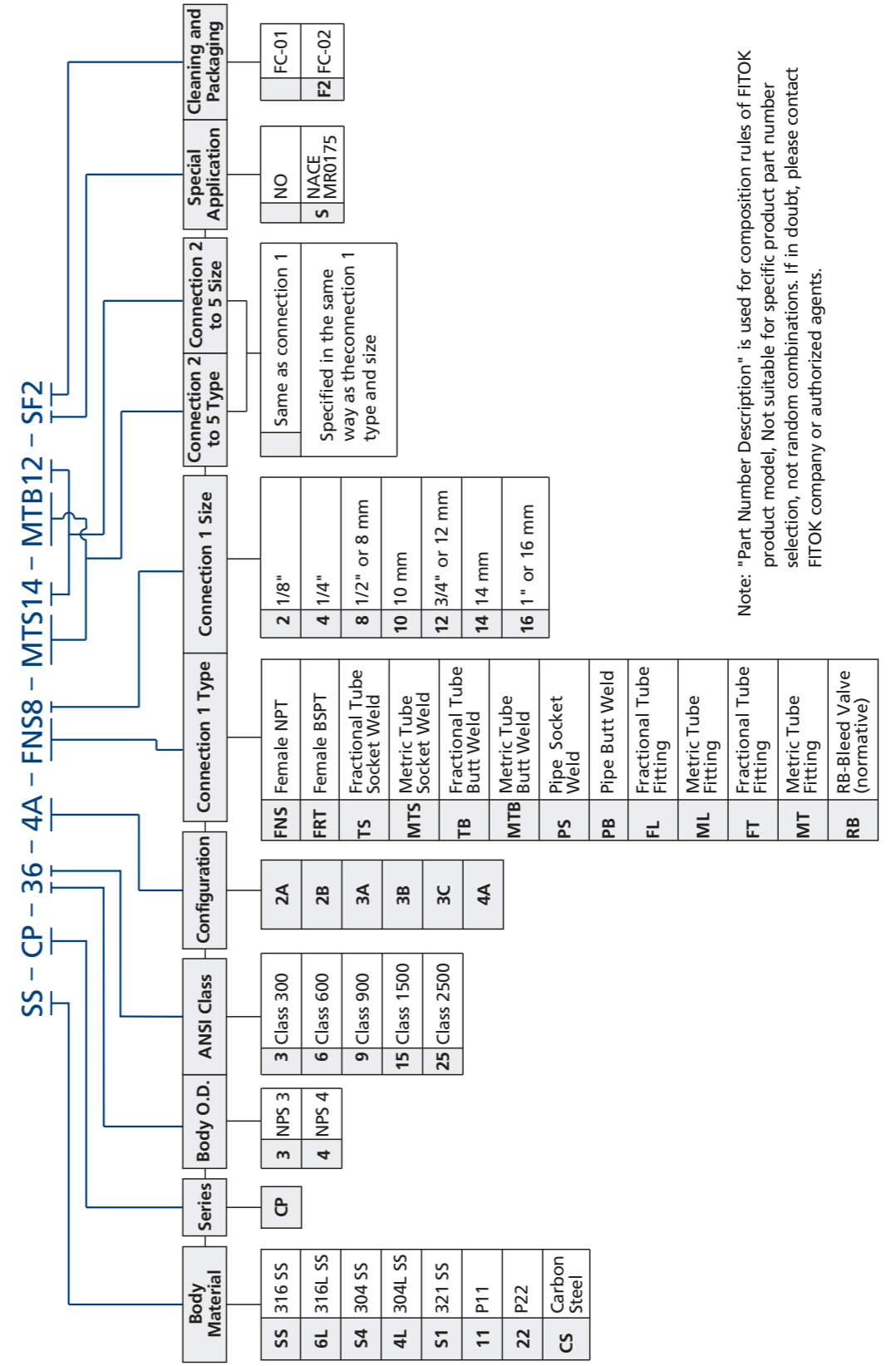
Dimensions are for reference only and are subject to change.

Pipe	Ø D (mm)	L (mm)	Capacity (L)
NPS 3	88.9	215	0.8
NPS 4	114.3	360	2.6

## Configuration

Designator	Schematic	Designator	Schematic
2A		3B	
2B		3C	
3A		4A	

## Part Number Description

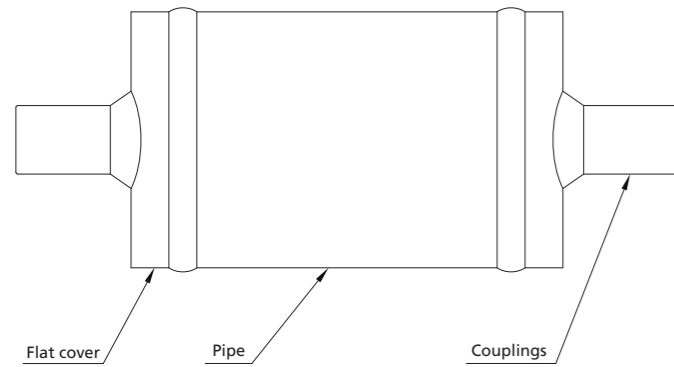


# Vessels

## SV Series

SV series vessels are designed to trap condensate and foreign matter that may accumulate in gaseous service lines, and purify gas media. They are often classified as condensation, isolation and separation vessels in different applications, widely used in refineries, power plants, petro-chemical and other process industries.

## Materials of Construction



Material	Pipe	Flat cover
316 SS	TP316/A312	F316/A182
321 SS	TP321/A312	F321/A182
304 SS	304 SS/A312	F304/A182
CS	A106	A105
316L SS	TP316L/A312	F316L/A182
304L SS	TP304L/A312	F304L/A182
P11	P11/A335	F11/A182
P22	P22/A335	F22/A182

## Configuration

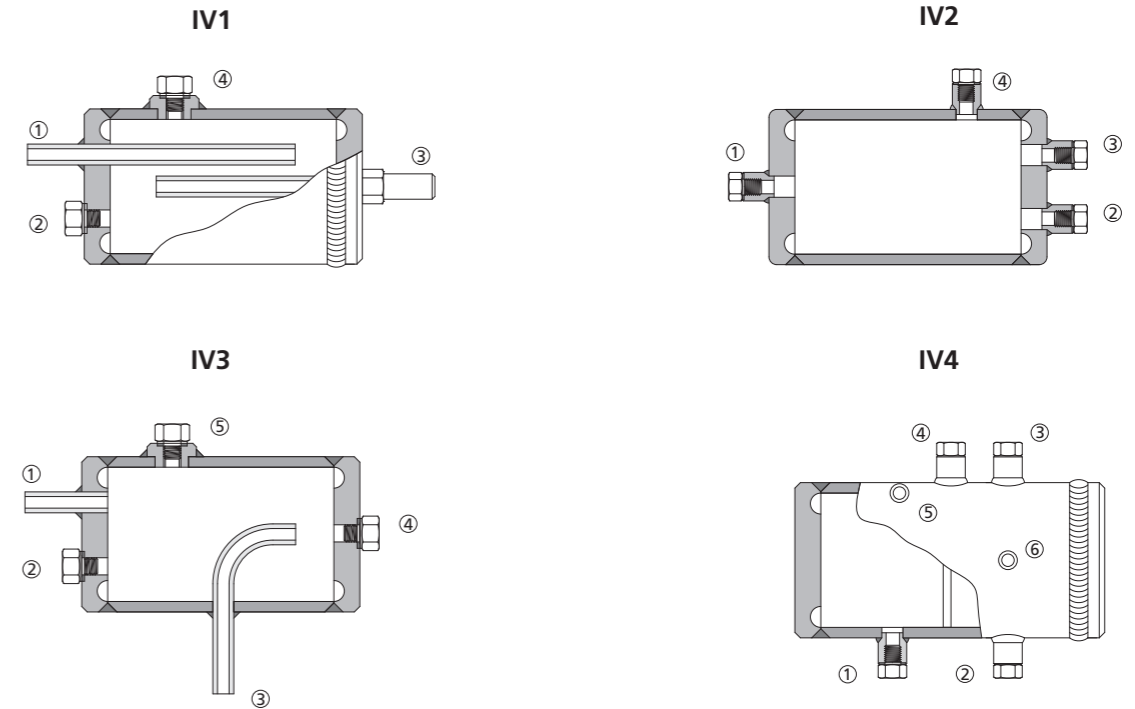
### Condensation Vessel



### Separation Vessel



## Isolation Vessel



## Part Number Description

**SS - SV - 36 - CV1 - FNS8 - MTS14 - MTB12 - SF2**

Body Material	Series	Body O.D.	ANSI Class	Configuration	Connection 1 Type	Connection 1 Size	Connection 2 to 6 Type	Connection 2 to 6 Size	Special Application	Cleaning and Packaging
SS 316 SS	sv	3 NPS 3	3 Class 300	CV1	FNS Female NPT	2 1/8"	Same as connection 1		NO	FC-01
6L 316L SS		4 NPS 4	6 Class 600	CV2	FRT Female BSPT	4 1/4"	Specified in the same way as the connection 1 type and size		S NACE MR0175	F2 FC-02
S4 304 SS			9 Class 900	SV1	TS Fractional Tube Socket Weld	8 1/2" or 8 mm				
4L 304L SS			15 Class 1500	SV2	MTS Metric Tube Socket Weld	10 10 mm				
S1 321 SS			25 Class 2500	IV1	TB Fractional Tube Butt Weld	12 3/4" or 12 mm				
11 P11				IV2	MTB Metric Tube Butt Weld	14 14 mm				
22 P22				IV3	PS Pipe Socket Weld	16 1" or 16 mm				
CS Carbon Steel				IV4	PB Pipe Butt Weld					
					FL Fractional Tube Fitting					
					ML Metric Tube Fitting					
					FT Fractional Tube Fitting					
					MT Metric Tube Fitting					
					RB RB-Bleed Valve (normative)					

Note: "Part Number Description" is used for composition rules of FITOK product model, Not suitable for specific product part number selection, not random combinations. If in doubt, please contact FITOK company or authorized agents.