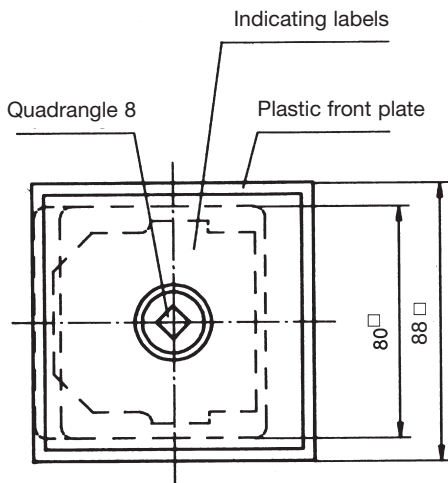
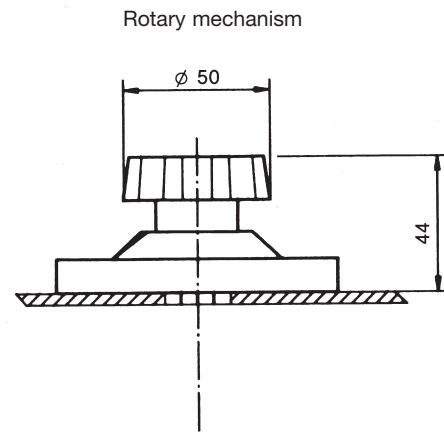
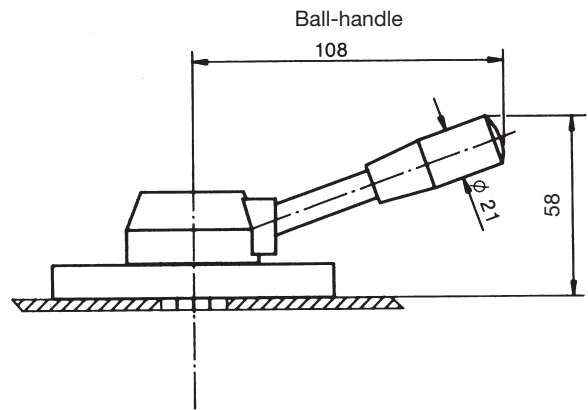
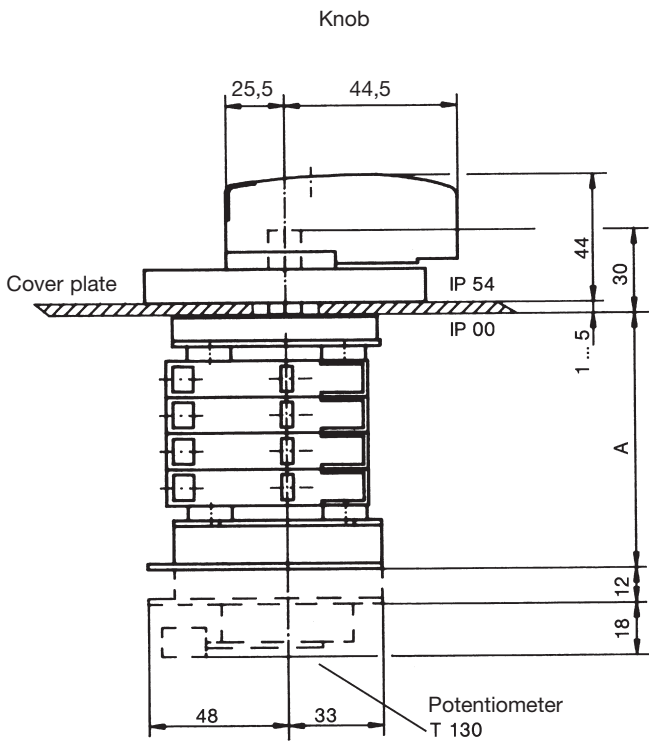


The control-switch N 6 is a rugged switching device according IEC 947-5-1 EN 60947 DIN VDE 0660-200 for hoisting and electro-hydraulic applications.
The modular design enables the switching device to be used universally.
The N 6 is resistant to oil, maritime climate, ozone and UV radiation.

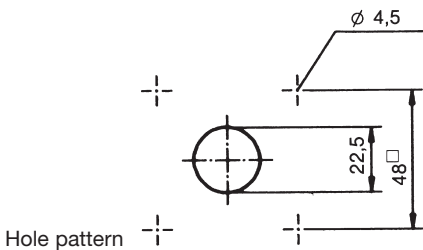
Contact complement 2 A 250 V AC 15 res. 1 A 24 V DC 13 (standard) or 4 A 250 V AC 15 (special)

Mechanical life	10 million (operating cycles)
Permissible ambient temperature	Operation -40° C to +60° C Storage -50° C to +80° C
Climate resistance	
Damp heat constant	DIN IEC 68 part 2-3
Damp heat cyclic	DIN IEC 68 part 2-30
Degree of protection front	IP 54 IEC 529 DIN 40050
Technical data look catalog 5/100	
Description data look catalog 5/002	

Pos.		No. of contacts	Weight gramm	Part No. 5220...	Type	Price EURO
1	Control-switch insert	2	290		01	
2	with free shaft end	4	350		02	
3	Switching sequence 4-0-4	6	410		03	
4	Switching program according contact-arrangement MS look catalog 5/001	8	470		04	
5	or to your contact-arrangement	10	530		05	
6		12	590		06	
7	Switching sequence 5-0-5 or 6-0-6 or 0-18					
8	Micro changeover contact (MZT1) positive opening (additional price)	2				
10	Spring return in 0-position max. 100 Grad (2 x 70°)		110		Z	
11	Friction brake adjustable max. 260 Grad (2 x 130°)		30		R	
12	Degree of protection, front IP 65 by seal ring					
15	Plastic-front plate 88 x 88 mm with indicating label		20		E	
16						
17						
20	Drive					
21	Knob		30		KN	
22	Ball-handle		50		HG	
23	Rotary mechanism		30		DG	
24						
25	Potentiometer e.t.c. with mounted Wire-wound potentiometer T 130 with centre tap linear Life 10 ⁷ switching cycles resistance 2 x 0,5/1/2/5/10 kOhm 1,5 Watt wiper current max. 10 mA		70		P	
26	Prepared for mounting potentiometer shaft 6 mm adjusting-angle 2 x 150°				(P)	
27	Prepared for mounting potentiometer e.t.c. adjusting-angle variable.				(P)	
28	more Potentiometer e.t.c. look catalog 1/240...					
30	Housing look catalog 1/350					
40	Indicating labels not engraved					
41	Engraved each 10 characters					
50	Command and indicating devices look catalog 1/360					



Type	No. of contacts	Dimension A	Spring return
01	2	51	+25
02	4	63	
03	6	76	
04	8	88	
05	10	101	
06	12	113	



Example for type-sign

- Control-switch
- Control-switch insert
- Friction brake
- Potentiometer e.t.c.

N 6-02 R P - E KN - X



- Special please to describe
- Knob
- Plastic front plate