

# Flush Rings

FU, FS and FE Series



## FITOK Group

### FITOK GmbH (Headquarter)

Sprendlinger Landstr. 115, 63069 Offenbach, Germany  
Tel.: +49 69 8900 4498  
Fax: +49 69 8900 4495

### FITOK INC

13000 Murphy Road, Suite 116, Stafford, TX 77477, USA  
Tel.: +1 281 888 0077  
Fax: +1 281 247 1806

### FITOK INCORPORATED

Yingtai long Industrial Park, Shenzhen, 518109, China  
Tel.: +86 755 2803 2500  
Fax: +86 755 2803 2619

info@fitokgroup.com  
www.fitokgroup.com

FI25040813

**FITOK**  
Valves and Fittings

www.fitokgroup.com

### Functions

- Flushing rings are required for flange-mounted and sandwich type remote if the danger exists that the process conditions and the geometry of the connection could make the medium into deposits or blockages
- The flushing ring is clamped between the process flange and the remote seal.
- Deposits can be flushed away from the diaphragm through the holes in the side, or the pressure volume can be vented.
- Different nominal sizes and forms permit adaptation to the respective process flange.

### Features

- Flange standards: ANSI B16.5, DIN 2526.
- Marked with standard, model number, series number.

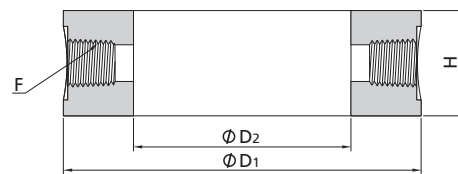
### Material Specifications

Material	Standard
316 SS	ASTM A479/A182
316L SS	
304 SS	
304L SS	
321 SS	
Alloy C-276	ASTM B574/B564
Alloy 400/R-405	ASTM B164/B564
Duplex 2507	ASTM A479/A182

Other materials are available upon request.

### Technical Data

#### FU Series: Wafer

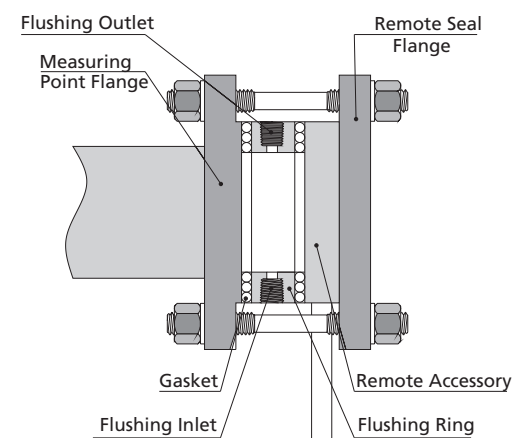


### Pressure Ratings and Dimensions

ANSI B 16.5		D1	D2	F - 1/4 NPT	F - 1/2 NPT
Nominal Size	Pressure Ratings	Dimension, in. (mm)			
2	Class 150 to 2500	3.62 (92)	2.44 (62)	0.97 (25)	1.18 (30)
3		5.00 (127)	3.62 (92)		
4		6.18 (157)	3.62 (92)		

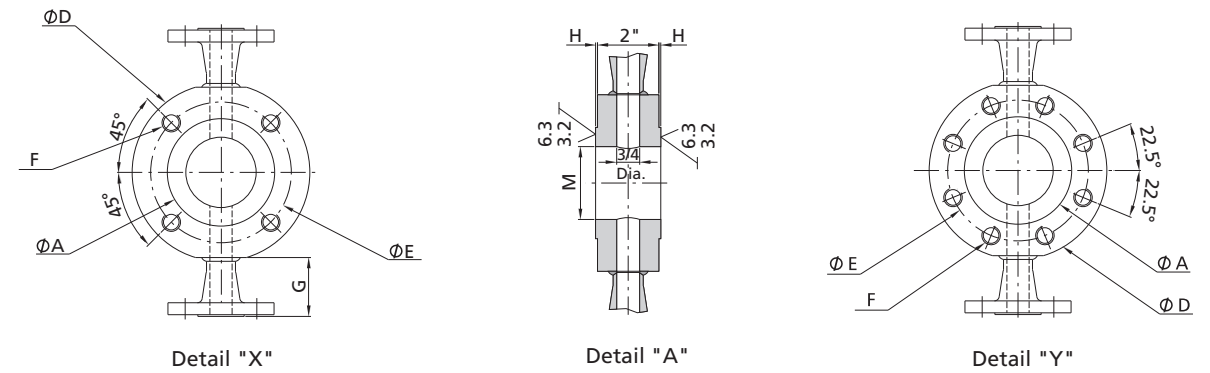
DIN 2526		D1	D2	F - 1/4 NPT	F - 1/2 NPT
Nominal Size	Pressure Ratings	Dimension, in. (mm)			
50	PN16 to PN400	4.01 (102)	2.44 (62)	0.97 (25)	1.18 (30)
80		5.43 (138)	3.62 (92)		
100		6.38 (162)	3.62 (92)		

### Installation Example

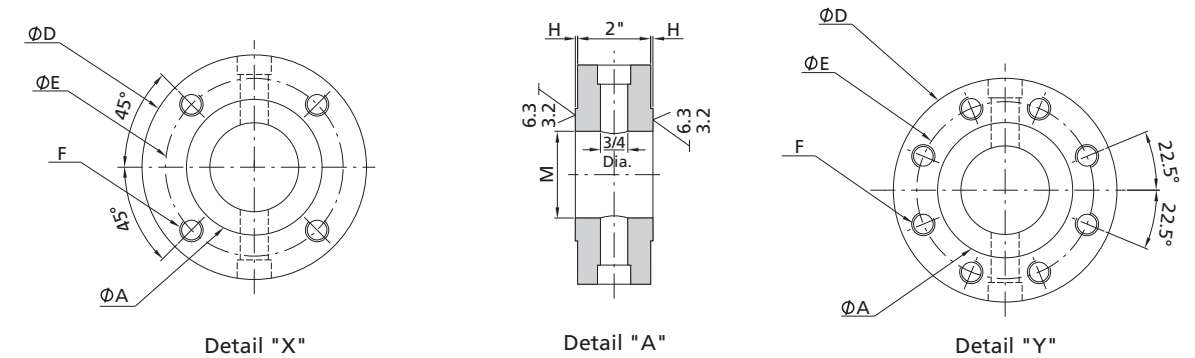


### FS Series:

#### Straight Flush Ring, ANSI RF, with Weld Neck Flange

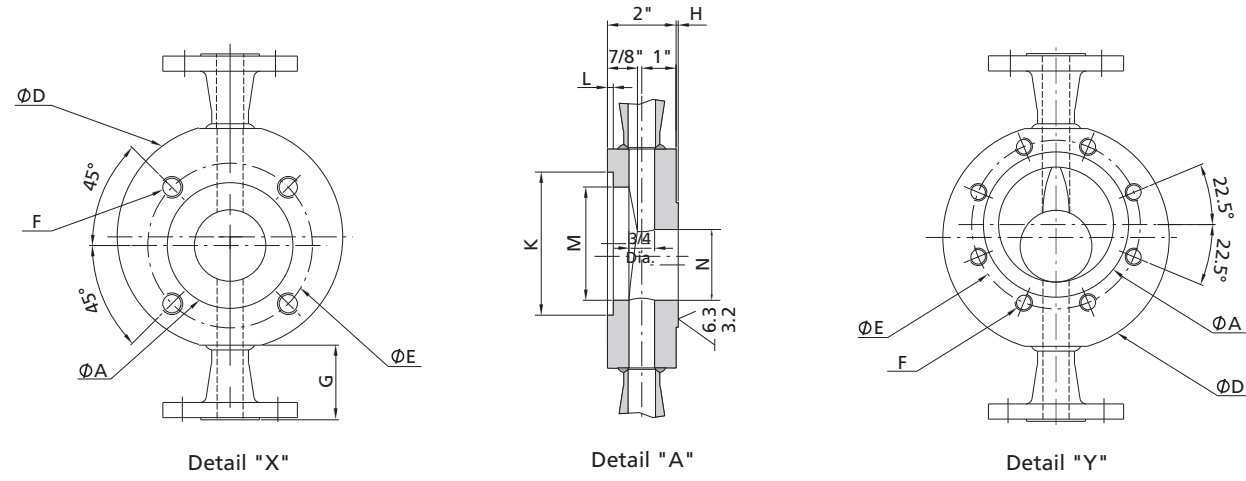


#### Straight Flush Ring, ANSI RF, with Socket Weld

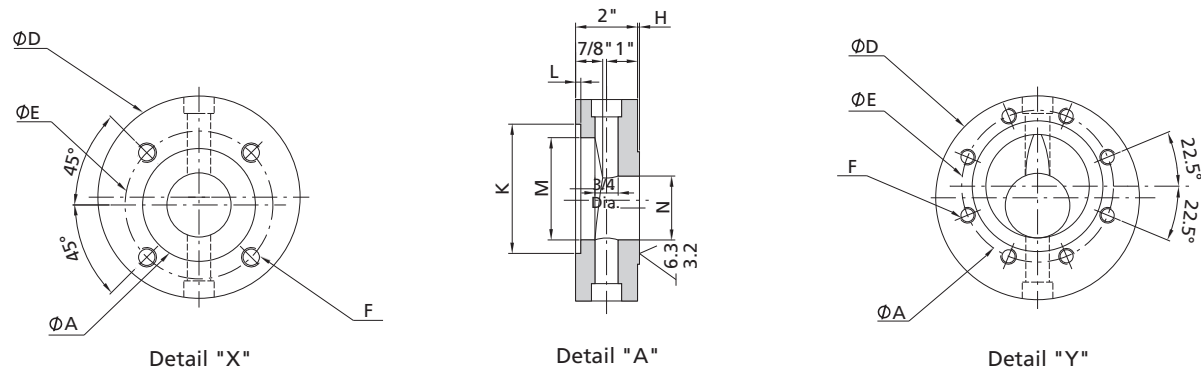


Nominal Pressure	Nominal size	Dimension, (in.)							
		ΦA	ΦD	ΦE	F	G	H	M	Detail
Class 150	1	2	4 1/4	3 1/8	NOTE: 1	25/32	1/16	1 1/16	X
	1 1/2	2 7/8	5	3 7/8	NOTE: 1	25/32	1/16	1 5/8	X
	2	3 5/8	6	4 3/4	NOTE: 2	25/32	1/16	2 3/8	X
	3	5	7 1/2	6	NOTE: 2	25/32	1/16	3 1/2	X
Class 300	4	6 3/16	9	7 1/2	NOTE: 4	25/32	1/16	4 1/16	Y
	1	2	4 7/8	3 1/2	NOTE: 2	2 11/32	1/16	1 1/16	X
	1 1/2	2 7/8	6 1/8	4 1/2	NOTE: 3	2 11/32	1/16	1 5/8	X
	2	3 5/8	6 1/2	5	NOTE: 4	2 11/32	1/16	2 3/8	Y
Class 600	3	5	8 1/4	6 5/8	NOTE: 5	2 11/32	1/16	3 1/2	Y
	4	6 3/16	10	7 7/8	NOTE: 5	2 11/32	1/16	4 1/16	Y
	1	2	4 7/8	3 1/2	NOTE: 2	2 11/32	1/4	1 1/16	X
	1 1/2	2 7/8	6 1/8	4 1/2	NOTE: 3	2 11/32	1/4	1 5/8	X
Class 900	2	3 5/8	6 1/2	5	NOTE: 4	2 11/32	1/4	2 3/8	Y
	3	5	8 1/4	6 5/8	NOTE: 5	2 11/32	1/4	3 1/2	Y
	4	6 3/16	10 3/4	8 1/2	NOTE: 6	2 11/32	1/4	4 1/16	Y

FE Series:  
Eccentric Flush Ring, ANSI RF, with Weld Neck Flange



Eccentric Flush Ring, ANSI RF, with Socket Weld



Pressure Ratings	Normal Size	Dimension, (in.)							
		ØA	ØD	ØE	F	G	H	N	Detail
Class 150	1 1/2	2 7/8	6 1/4	3 7/8	NOTE: 1	2 5/32	1/16	1 5/8	X
	2	3 5/8	6 1/2	4 3/4	NOTE: 2	2 5/32	1/16	2 1/16	X
	3	5	7 1/2	6	NOTE: 2	2 5/32	1/16	3 1/16	X
Class 300	1 1/2	2 7/8	6 3/4	4 1/2	NOTE: 3	2 11/32	1/16	1 5/8	X
	2	3 5/8	6 3/4	5	NOTE: 4	2 11/32	1/16	2 1/16	Y
	3	5	8 1/4	6 5/8	NOTE: 5	2 11/32	1/16	3 1/2	Y

- 1) Drill & tap for 1/2"-13 UNC-2A stud x 0.63" DP., (4) places. Max. drill point depth from drilling surface = 0.925".
- 2) Drill & tap for 1/2"-13 UNC-2A stud x 0.63" DP., (8) places. Max. drill point depth from drilling surface = 0.925".
- 3) Drill & tap for 5/8"-11 UNC-2A stud x 0.72" DP., (4) places. Max. drill point depth from drilling surface = 0.987".
- 4) Drill & tap for 5/8"-11 UNC-2A stud x 0.72" DP., (8) places. Max. drill point depth from drilling surface = 0.987".
- 5) Drill & tap for 3/4"-10 UNC-2A stud x 0.87" DP., (4) places. Max. drill point depth from drilling surface = 1.165".
- 6) Drill & tap for 3/4"-10 UNC-2A stud x 0.87" DP., (8) places. Max. drill point depth from drilling surface = 1.165".

Ordering Information

FESS — 16150RF — 32300RJ — RF32150F2

Series	Body Material	Inlet Side Nominal Size	Inlet Side Flange Class	Inlet Side Sealing Face Type	Outlet Side Nominal Size	Outlet Side Flange Class	Outlet Side Sealing Face Type	Flushing Port Type	Flushing Port Size	Flushing Port Class	Cleaning and Packaging
FU	316 SS	ANSI B 16.5	ANSI B 16.5	ANSI B 16.5	ANSI B 16.5	ANSI B 16.5	ANSI B 16.5	FNS	4 1/4"	FC-01	ANSI B 16.5 Same as inlet Class 150 Class 300 Class 600 Class 900 Class 1500 Class 2500
FS	316L SS	16 1	150	Smooth Finish Raised Face Flanged	16	Class 150	Smooth Finish Raised Face Flanged	FRT	8 1/2"	F2	
FE	304 SS	24 1 1/2	300	Spiral Finish Raised Face Flanged	24	Class 300	Spiral Finish Raised Face Flanged	FRP	14 14 mm		
	304L SS	32 2	600	Ring Type Joint Flanged	32	Class 600	Ring Type Joint Flanged	TS	1" or 16 mm		
	321 SS	48 3	900	DIN 2526 (Only for FU Series)	48	Class 900	Ring Type Joint Flanged	MTS	24 1 1/2"		
	Alloy C-276	64 4	1500	Type C	64	Class 1500	Ring Type Joint Flanged	PS	32 2"		
	Alloy 400	DIN 2526 (Only for FU Series)	2500	Type D		Class 2500	Ring Type Joint Flanged	PB			
	Duplex 2205	50 DN50	DIN 2526 (Only for FU Series)	Type E			Ring Type Joint Flanged	RF			
	904L SS	80 DN80	PN16				Ring Type Joint Flanged	RF (A)			
		100 DN100	PN25				Ring Type Joint Flanged	RJ			
			PN40				Ring Type Joint Flanged				
			PN63				Ring Type Joint Flanged				
			PN100				Ring Type Joint Flanged				
			PN160				Ring Type Joint Flanged				
			PN400				Ring Type Joint Flanged				

Same as Inlet  
Specified in the same way as the inlet type and size

Cleaning and Packaging:  
 FC-01: Standard cleaning and packaging for general industrial procedures.  
 FC-02: Special cleaning and packaging for wetted system components to ensure compliance with product cleaning requirement as stated in ASTM G93 Level C.