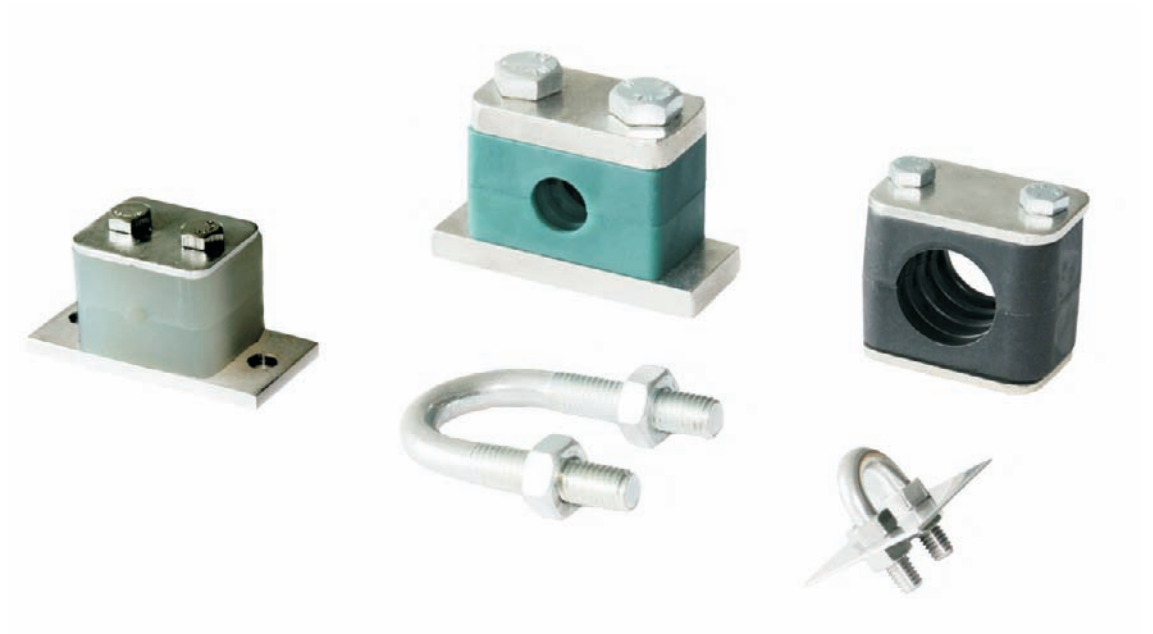


Tube Clamps

FC and CS Series



FITOK Group

FITOK GmbH (Headquarter)
Sprendlinger Landstr. 115, 63069 Offenbach, Germany
Tel.: +49 69 8900 4498
Fax: +49 69 8900 4495

FITOK INC
13000 Murphy Road, Suite 116, Stafford, TX 77477, USA
Tel.: +1 281 888 0077
Fax: +1 281 247 1806

FITOK INCORPORATED
Yingtailong Industrial Park, Shenzhen, 518109, China
Tel.: +86 755 2803 2500
Fax: +86 755 2803 2619

info@fitokgroup.com
www.fitokgroup.com

FI26040813

FITOK
Valves and Fittings

www.fitokgroup.com

FC Series

Steel Strip and U-bolt Clamps

Features

- Designed according to DIN standard
- Tube or pipe O.D. size range: 5.5 mm to 61 mm
- Tube or pipe application
- Vibration-proof and noise-proof design
- All marked with type and dimension

Technical Data:

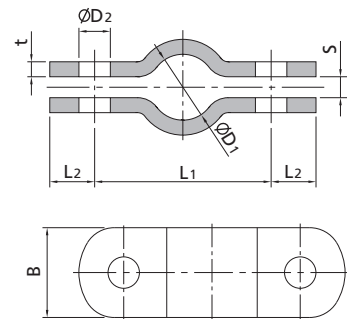
Material	Designator	Temperature Range
321 SS	S1	up to 426°C
304 SS	S4	
316 SS	SS	
Carbon Steel	CS	up to 400°C

Ordering Information:

Add material designator as a prefix to the basic ordering number to complete ordering number. For example: S4-FC1-27
Dimensions in mm unless otherwise specified.

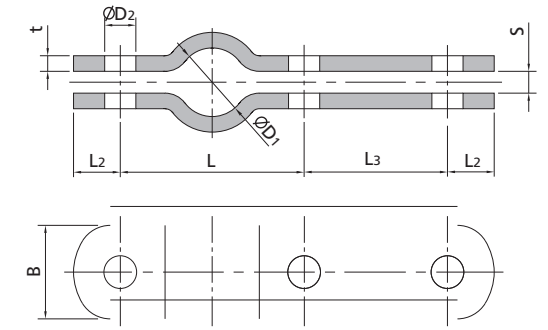
Dimensions

FC1 Series



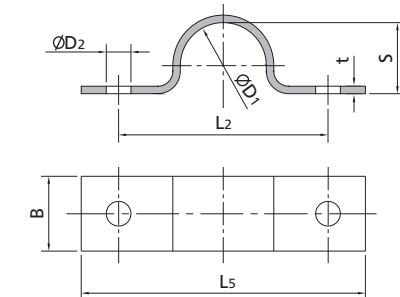
ØD ₁	For Tube and Pipe Outside Diameter	Basic Ordering Number	L ₁	L ₂	t	S	ØD ₂	B
20	18 to 20	-FC1-20	57	15	5	7	11.5	30
22	20 to 22.2	-FC1-22	59					
25	23 to 25	-FC1-25	62					
27	25 to 27	-FC1-27	66					
30	28 to 30.1	-FC1-30	68					
34	32 to 34	-FC1-34	72					
38	36 to 38.1	-FC1-38	76					
43	41 to 43	-FC1-43	82					
45	43 to 45	-FC1-45	84					
49	48 to 50.8	-FC1-49	88					
57	55 to 57	-FC1-57	104	18	6	9	14	40
60	58 to 60	-FC1-60	108					

FC2 Series



ØD ₁	For Tube and Pipe Outside Diameter	Basic Ordering Number	L ₁	L ₂	L ₃	t	S	ØD ₂	B
20	18 to 20	-FC2-20	57	15	46	5	7	11.5	30
22	20 to 22.2	-FC2-22	59						
25	23 to 25	-FC2-25	62						
27	25 to 27	-FC2-27	66						
30	28 to 30.1	-FC2-30	68						
34	32 to 34	-FC2-34	72						
38	36 to 38.1	-FC2-38	76						
43	41 to 43	-FC2-43	82						
45	43 to 45	-FC2-45	84						
49	48 to 50.8	-FC2-49	88						
57	55 to 57	-FC2-57	104	18	54	6	9	14	40
60	58 to 60	-FC2-60	108						

FC3 Series



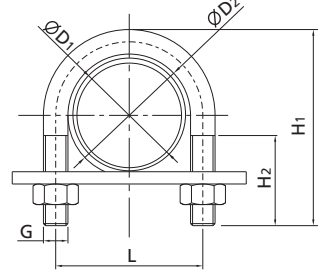
ØD ₁	For Tube and Pipe Outside Diameter	Basic Ordering Number	L ₁	L ₂	S	ØD ₂	t	B
7	5.5 to 7	-FC3-7	44	28	5	6.6	2	16
9	7 to 9	-FC3-9	48	32	6			20
13	9.5 to 13	-FC3-13	52	36	9			20
15.5	13 to 15.5	-FC3-15.5	56	40	12			20
19	15.5 to 19	-FC3-19	60	44	15	11	3	25
23	20 to 23	-FC3-23	82	56	19			
26	23 to 26	-FC3-26	84	58	22			
28.5	26 to 28.5	-FC3-28.5	90	64	24			
32	28.5 to 32	-FC3-32			27			
36	33 to 36	-FC3-36	106	80	32			
39	36 to 39	-FC3-39	110	84	34			
43	39 to 43	-FC3-43	120	88	38			
46	43 to 46	-FC3-46	122	90	41	14	5	30
49	48 to 50.8	-FC3-49			44			
58	55 to 58	-FC3-58			52			
61	58 to 61	-FC3-61	57	40				

FC4 Series



ØD ₁	For Tube and Pipe Outside Diameter	Basic Ordering Number	L ₁	L ₂	L ₃	H	ØD ₂	t	B
7	5.5 to 7	-FC4-7	26	14	31.5	5	6.6	2	16
9	7 to 9	-FC4-9	28	16	34.5	6			20
13	9.5 to 13	-FC4-13	30	18	38.5	9			20
15.5	13 to 15.5	-FC4-15.5	32	20	41.75	12			20
19	15.5 to 19	-FC4-19	34	22	45.5	15			20
23	20 to 23	-FC4-23	43	28	57.5	19	9	3	25
26	23 to 26	-FC4-26	44	29	60	22			
28.5	26 to 28.5	-FC4-28.5	47	32	64.25	24			
31	28.5 to 31	-FC4-31			65.5	27			
33	31 to 33	-FC4-33	56	36	75.5	29			
36	33 to 36	-FC4-36	57	40	78	32			
39	36 to 39	-FC4-39	59	42	81.5	34			
43	39 to 43	-FC4-43	61	44	85.5	38			
46	43 to 46	-FC4-46	62	45	88	41			
49	46 to 49	-FC4-49	67	48	95.5	44	14	4	40
52	49 to 52	-FC4-52	72	53	102	47			
58	55 to 58	-FC4-58	74	55	107	52			
61	58 to 61	-FC4-61	77	58	111.5	56			

FC5 Series



Nominal Width	ØD ₁	Basic Ordering Number	ØD ₂	L	H ₁	H ₂	G	FC5 Kits
DN20	25	-FC5-30	30	40	70	40	M10	U-shaped bolt (1 piece) Nut (2 pieces)
	26.9							
DN25	30	-FC5-38	38	48	76	50	M10	
	33.7							
DN32	38	-FC5-46	46	56	86	50	M10	
	42.4							
DN40	44.5	-FC5-52	52	62	92	50	M10	
	48.3							
DN50	57	-FC5-64	64	76	109	50	M12	
60.3								
DN65	76.1	-FC5-82	82	94	125	50	M12	
DN80	88.9	-FC5-94	94	106	138			
DN100	108	-FC5-120	120	136	171	60	M16	
	114.3							
DN125	133	-FC5-148	148	164	191	60	M16	
	139.7							

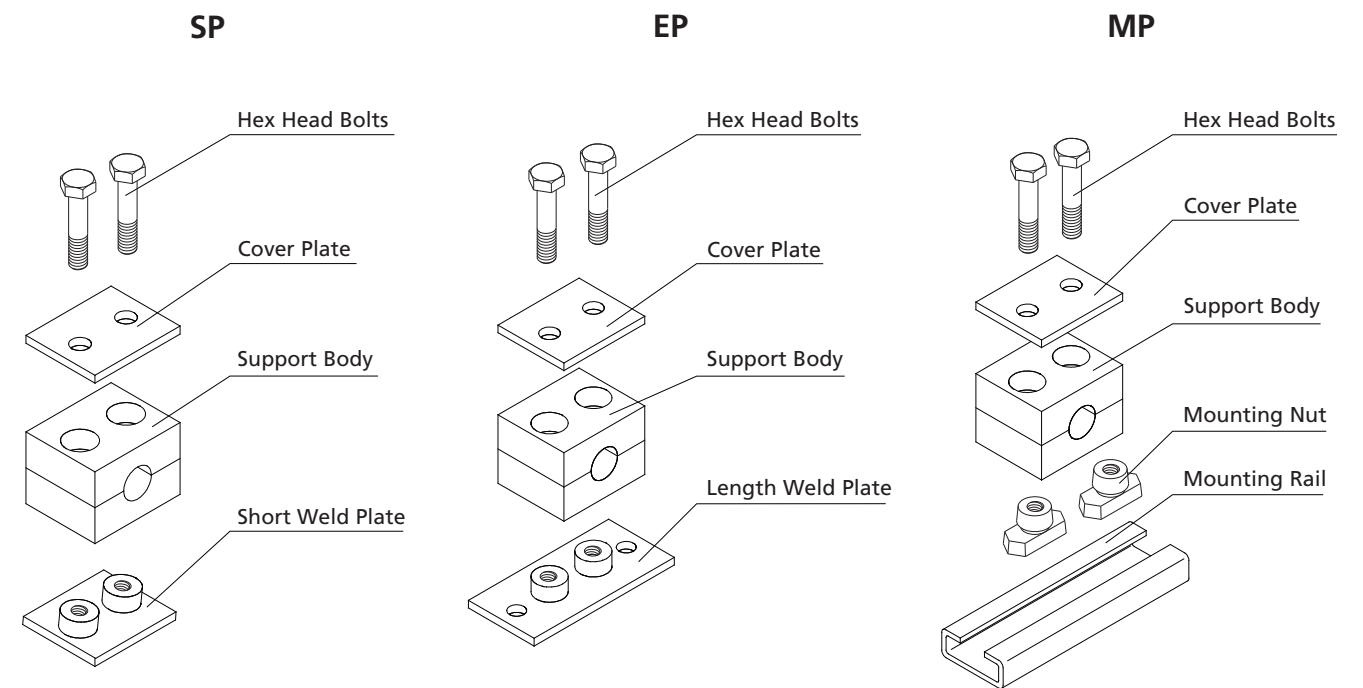
CS Series

Bolted Plastic Clamp Supports

Features

- Comply with DIN 3015 - 1
- Resist chemical corrosion
- Resist ultraviolet radiation
- Enhance system reliability
- Vibration-proof and noise-proof design

Types



Materials

Component	Material	Designator	Temperature Range
Support Body	Polyformaldehyde	PP	-30°C to 90°C
	Polyamide	PA	-40°C to 120°C
Others (Metal Parts)	304 stainless steel	S4	—
	316 stainless steel	SS	
	Carbon steel, galvanized	CSG	
	Carbon steel, phosphating	CSP	

Ordering Information Assemblies

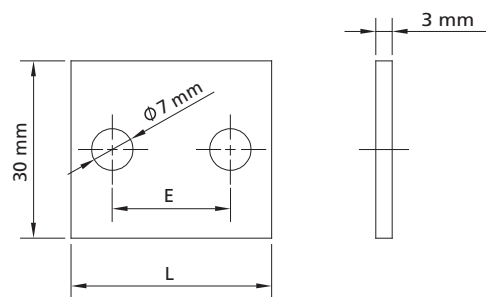
S4 - CS - PP - EP - 12

Metal Part Material		Series	Support Body Material		Type	Tube O.D.	
S4	304 stainless steel	CS	PP	Polyformaldehyde	SP	6	6 mm
SS	316 stainless steel		PA	Polyamide	EP	6.3	6.35 mm (1/4 in.)
CSG	Carbon steel, galvanized				MP	8	8 mm
CSP	Carbon steel, phosphating					9.5	9.5 mm (3/8 in.)
						10	10 mm
						12	12 mm
						12.7	12.7 mm (1/2 in.)
						14	14 mm
						15	15 mm
						16	16 mm (5/8 in.)
						18	18 mm
						19	19 mm (3/4 in.)
						20	20 mm
						22	22 mm
						25	25 mm
						25.4	25.4 mm (1 in.)
						28	28 mm
						30	30 mm
						32	32 mm (1 1/4 in.)
						35	35 mm
						38	38 mm (1 1/2 in.)
						40	40 mm
						42	42 mm
						44.5	44.5 mm (1 3/4 in.)
						50.8	50.8 mm (2 in.)

- Ordering Information of Mounting Rail for MP type assembly is excluded. Mounting Rail shall be ordered separately, please refer to page 7 for details.
- All components are available to be ordered as a separate part, please refer to "Components and Dimensions" for ordering information.

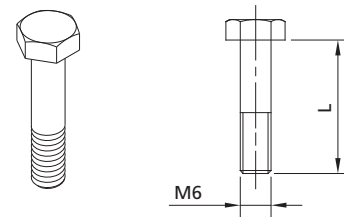
Components and Dimensions

Cover Plates



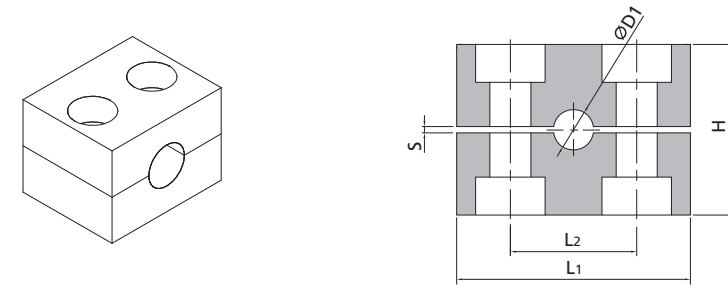
Tube O.D. (mm)	Basic Ordering Number	L (mm)	E (mm)
6 ~ 12	-CS-GP1	34	20
12.7 ~ 18	-CS-GP2	40.5	26
19 ~ 25.4	-CS-GP3	48	33
28 ~ 30	-CS-GP4	57	40
32 ~ 42	-CS-GP5	70	52
44.5 ~ 50.8	-CS-GP6	86	66

Hex Head Bolts



Tube O.D. (mm)	Basic Ordering Number	L (mm)
6 ~ 12	-CS-M6 × 30	30
12.7 ~ 18	-CS-M6 × 35	35
19 ~ 25.4	-CS-M6 × 40	40
28 ~ 30	-CS-M6 × 45	45
32 ~ 42	-CS-M6 × 60	60
44.5 ~ 50.8	-CS-M6 × 70	70

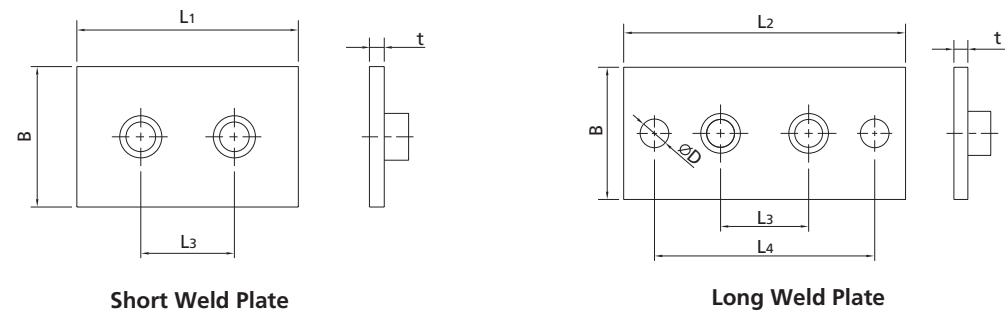
Support Bodies



Tube O.D. ϕD_1 mm (in.)	Basic Ordering Number	L1	L2	H	S min.	Width
6	-CS-SB6	37	20	27	0.4	30
6.35 (1/4)	-CS-SB6.3					
8	-CS-SB8					
9.5 (3/8)	-CS-SB9.5					
10	-CS-SB10					
12	-CS-SB12					
12.7 (1/2)	-CS-SB12.7	42	26	33	0.6	
14	-CS-SB14					
15	-CS-SB15					
16 (5/8)	-CS-SB16	50	33	35	0.8	
18	-CS-SB18					
19 (3/4)	-CS-SB-19					
20	-CS-SB20					
22	-CS-SB22					
25	-CS-SB25					
25.4 (1)	-CS-SB25.4	59	40	42	0.8	
28	-CS-SB28					
30	-CS-SB30					
32 (1 1/4)	-CS-SB32					
35	-CS-SB35					
38 (1 1/2)	-CS-SB38					
40	-CS-SB40	71	52	58	0.8	
42	-CS-SB42					
44.5 (1 3/4)	-CS-SB44.5					
50.8	-CS-SB50.8					
		86	66	66		

7 Tube Clamps

Weld Plates

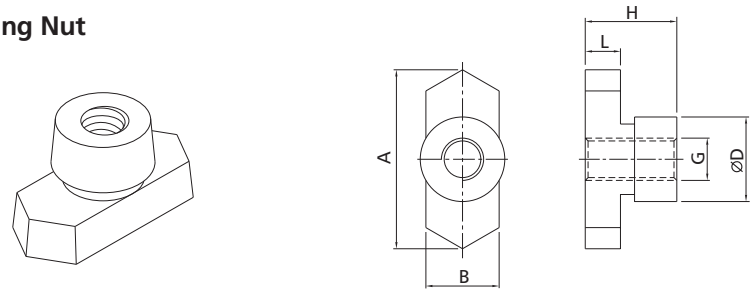


Short Weld Plate

Long Weld Plate

Tube O.D. ØD ₁ mm (in.)	Basic Ordering Number (For Short Weld Plate)	Basic Ordering Number (For Long Weld Plate)	L ₁	L ₂	L ₃	L ₄	B	ØD	t
6 ~ 12	-CS-SP1	-CS-EP1	36	64	20	50	30	6.5	3
12.7 ~ 18	-CS-SP2	-CS-EP2	42	70	26	56			
19 ~ 25.4	-CS-SP3	-CS-EP3	50	78	33	64			
28 ~ 30	-CS-SP4	-CS-EP4	60	87	40	73			
32 ~ 42	-CS-SP5	-CS-EP5	71	100	52	86			
44.5 ~ 50.8	-CS-SP6	-CS-EP6	88	115	66	100			

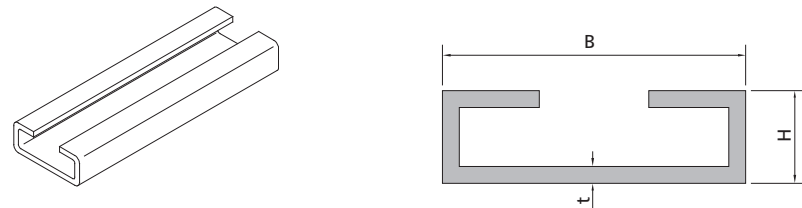
Mounting Nut



Basic Ordering Number	A	B	H	L	G	ØD
-CS-SM	25	10.4	13	5	M6	12

Option

Mounting Rail



Basic Ordering Number	t	B	H	Length (mm)
-CS-MR11-L	2	28	11	L (upon request)
-CS-MR14-L	2	28	14	
-CS-MR30-L	2	28	30	