

The control pedestal U 22/32 accomodates the devices necessary for control and monitoring.

Ready wired, it can be quickly and easily installed on the sea deck.
The housing (pedestal head) is made of seawater-resistant aluminium.

**Contact complement 2 A 250 V AC 15 res. 1 A 24 V DC 13 (standard)
or 4 A 250 V AC 15 (special)**

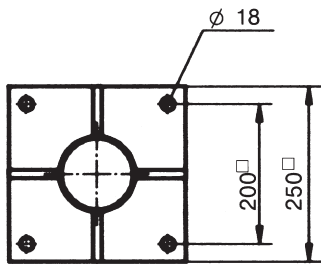
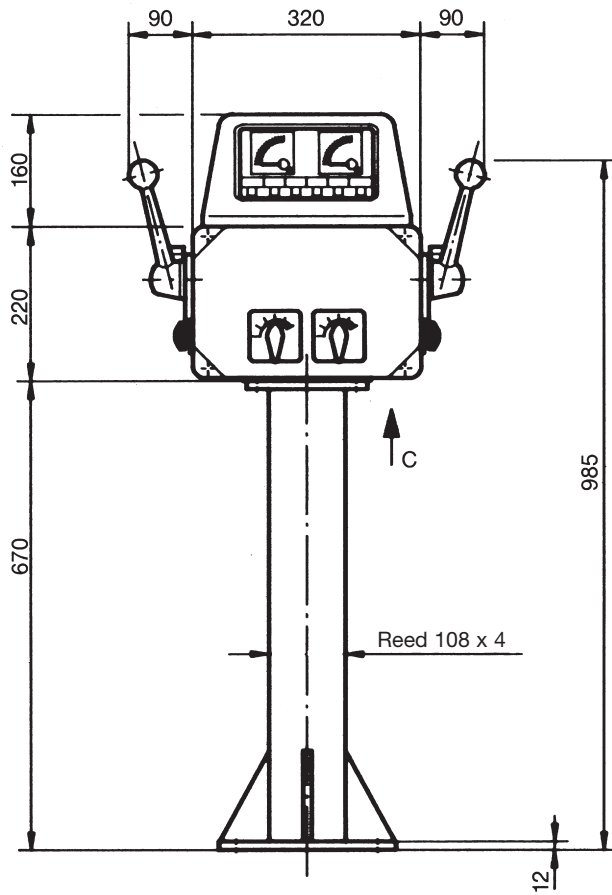
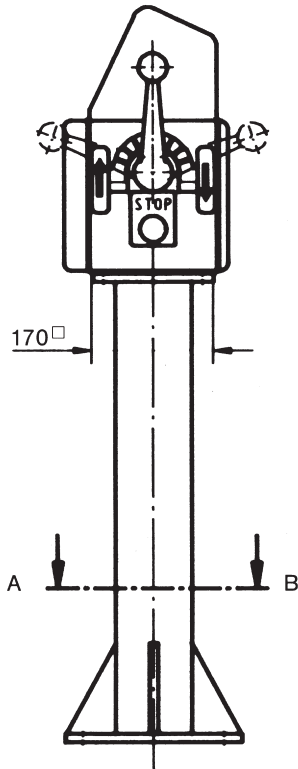
Surface treatment: Anti-corrosion primer, top coat: two coats of epoxy-resin paint, standard colour RAL 7032 pebble-grey textured varnish

All non-painted metal parts are electrogalvanized and chromed.
All mechanical operating parts are made of non-rusting materials.

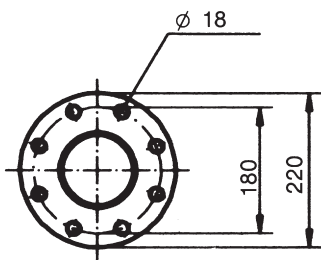
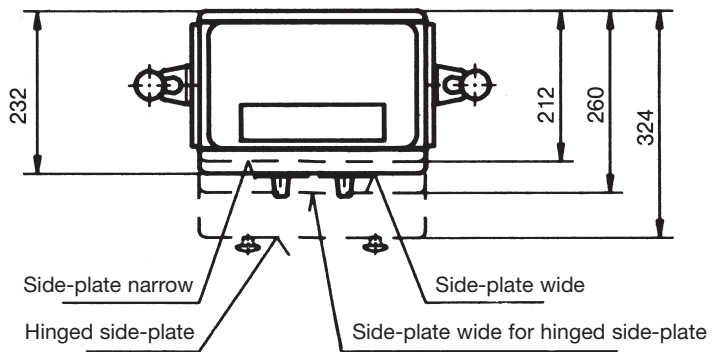
Permissible ambient temperature Operation -40° C to +60° C
Storage -50° C to +80° C

Climate resistance
Damp heat constant DIN IEC 68 part 2-3
Damp heat cyclic DIN IEC 68 part 2-30
Degree of protection IP 66 IEC 529 DIN 40050

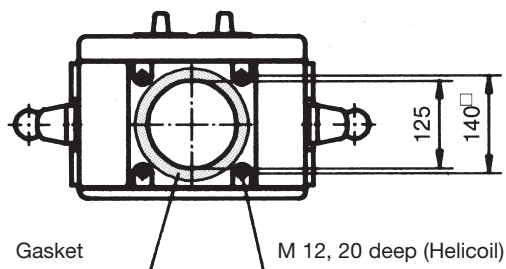
Pos.			Weight kg	Part No.	Type	Price EURO
1	Housing U 22 / 32 with 1 narrow side-plate with pillar-gasket		6,8		U22/32	
2	Side-plate narrow gasket		1,8		FD	
3	Side-plate wide with gasket (required for command and indicating devices Pos. 22-26)		2,4		HD	
4	Hinged side-plate with gasket that can be locked in position (cover for command and indicating devices)		4,0		KD	
5	Monitoring devices cover with gasket for max. 2 monitors 72 x 72 mm or 4 monitors 72 x 36 mm and max. 6 indicating devices Pos. 28, 29		2,9		IA	
6	Pillar 108 mm ø 670 mm height with flange quadratic or round		18,8		RS	
10	Masterswitch with 6 contacts, with spring return in 0-position with ball handle and indicating labels drive		2,0		N61-03Z-HG	
11	Control-switches with 4 contacts with knob and indicating label		0,7		N62-02-KN	
12	Additional or subtract price each 2 contacts				± 01	
13	more variants look catalog 1/220					
14	Wire-wound potentiometer T 130 with centre tap linear life 10 ⁷ switching cycles resistance 2 x 0,5 / 1 / 2 / 5 / 10 kOhm 1,5 Watt wiper current max. 10 mA more potentiometer look catalog 1/240...		0,07		P	
20	Heating 20 Watt 220 or 110 V / 50/60 Hz		0,15		H	
21	Mushroom head push button latching 30 with indicating label	1 NO + 1 NC	0,1		PV	
22	Mushroom head push button 30 with indicating label	1 NO + 1 NC	0,1		P	
23	Push button 30 with indicating label	1 NO + 1 NC	0,1		D	
24	Selector switch 30 with indicating label	1 NO + 1 NC	0,1		W	
25	Indicator light 30 with indicating label	24 Volt	0,1		L	
26	Indicator light 30 with indicating label with transformer	220 / 24 Volt AC	0,1		L	
27	Contact block additional	1 NO + 1 NC				
28	Indicator light 22 with indicating label	24 Volt	0,05		L	
29	Indicator light 10 with indicating label	diode 24 Volt	0,03		L	
35	Power monitoring PQ 72 1 mA DC	Engraved your instructions	0,2		PQ	
36	Power monitoring PQ 72 x 36 1 mA DC	Engraved your instructions	0,3		PQ	
37	Ampere monitoring EQ 72 100 / 200 / 1 A	Engraved your instructions	0,2		EQ	
38	Ampere monitoring EQ 72 x 36 100 / 200 / 1 A	Engraved your instructions	0,3		EQ	
39	Monitoring illuminated	24 Volt				
40	Another electrical value are available					
45	Terminal block 2,5 mm ² without wiring	each terminal			KL	
46	Terminal block 2,5 mm ² with wiring wire 0,75 mm ²	each terminal			KL	
47						
48						
49						
50	Engraved each 10 characters					



View A - B



View A - B
(option flange NW 100, DIN 2633)



View C



The control pedestal U 23/23 accomodates the devices necessary for control and monitoring.

Ready wired, it can be quickly and easily installed on the sea deck.
The housing (pedestal head) is made of seawater-resistant aluminium.

**Contact complement 2 A 250 V AC 15 res. 1 A 24 V DC 13 (standard)
or 4 A 250 V AC 15 (special)**

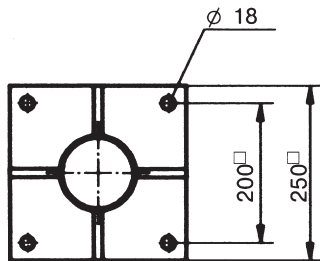
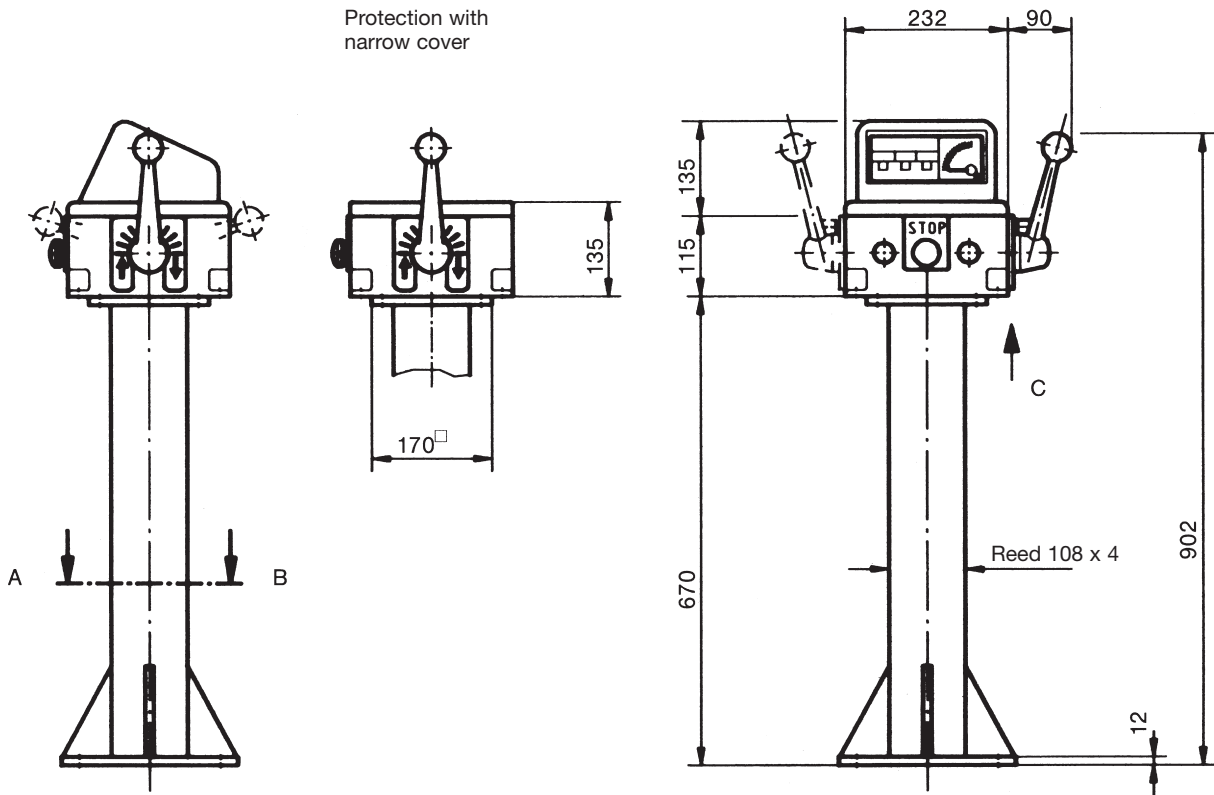
Surface treatment: Anti-corrosion primer, top coat: two coats of epoxy-resin paint, standard colour RAL 7032 pebble-grey textured varnish

All non-painted metal parts are electrogalvanized and chromed.
All mechanical operating parts are made of non-rusting materials.

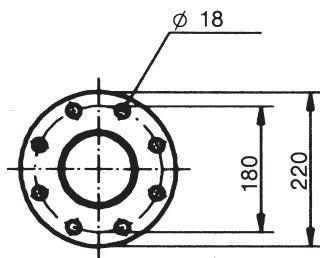
Permissible ambient temperature Operation -40° C to +60° C
Storage -50° C to +80° C

Climate resistance
Damp heat constant DIN IEC 68 part 2-3
Damp heat cyclic DIN IEC 68 part 2-30
Degree of protection IP 66 IEC 529 DIN 40050

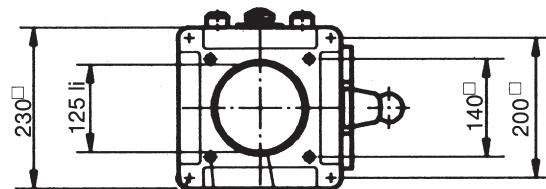
Pos.			Weight kg	Part No.	Type	Price EURO
1	Housing U 23 / 23 with 1 narrow cover with pillar-gasket		5,3		U23/23	
2	Housing U 23 / 23 with 1 narrow cover without thrilling in the housing		5,4		U23/23	
3						
4						
5	Monitoring devices cover with gasket for max. 2 monitors 72 x 72 mm or 1 monitors 72 x 72 mm and max. 6 indicating devices Pos. 28, 29		2,3		IA	
6	Pillar 108 mm ø 670 mm height with flange quadratic or round		18,8		RS	
10	Masterswitch with 6 contacts, with spring return in 0-position, with ball handle and indicating labels drive		2,0		N61-03Z-HG	
11	Control switches with 4 contacts with knob and indicating label		0,7		N62-02-KN	
12	Additional or subtract price each 2 contacts				± 01	
13	more variants look catalog 1/220					
14	Wire-wound potentiometer T 130 with centre tap linear life 10 ⁷ switching cycles resistance 2 x 0,5 / 1 / 2 / 5 / 10 kOhm 1,5 Watt wiper current max. 10 mA more potentiometer look catalog 1/240...		0,07		P	
20	Heating 20 Watt 220 V or 110 V / 50/60 Hz		0,15		H	
21	Mushroom head push button latching 30 with indicating label	1 NO + 1 NC	0,1		PV	
22	Mushroom head push button 30 with indicating label	1 NO + 1 NC	0,1		P	
23	Push button 30 with indicating label	1 NO + 1 NC	0,1		D	
24	Selector switch 30 with indicating label	1 NO + 1 NC	0,1		W	
25	Indicator light 30 with indicating label	24 Volt	0,1		L	
26	Indicator light 30 with indicating label with transformer	220 / 24 Volt AC	0,1		L	
27	Contact block additional	1 NO + 1 NC				
28	Indicator light 22 with indicating label	24 Volt	0,05		L	
29	Indicator light 10 with indicating label	diode 24 Volt	0,03		L	
35	Power monitoring PQ 72 1 mA DC	Engraved your instructions	0,2		PQ	
36						
37	Ampere monitoring EQ 72 100 / 200 / 1 A	Engraved your instructions	0,2		EQ	
38						
39	Monitoring illuminated 24 Volt					
40	Another electrical value available					
45	Terminal block 2,5 mm ² without wiring	each terminal			KL	
46	Terminal block 2,5 mm ² with wiring wire 0,75 mm ²	each terminal			KL	
47						
48						
49						
50	Engraved each 10 characters					



View A - B



View A - B
(option flange NW 100, DIN 2633)

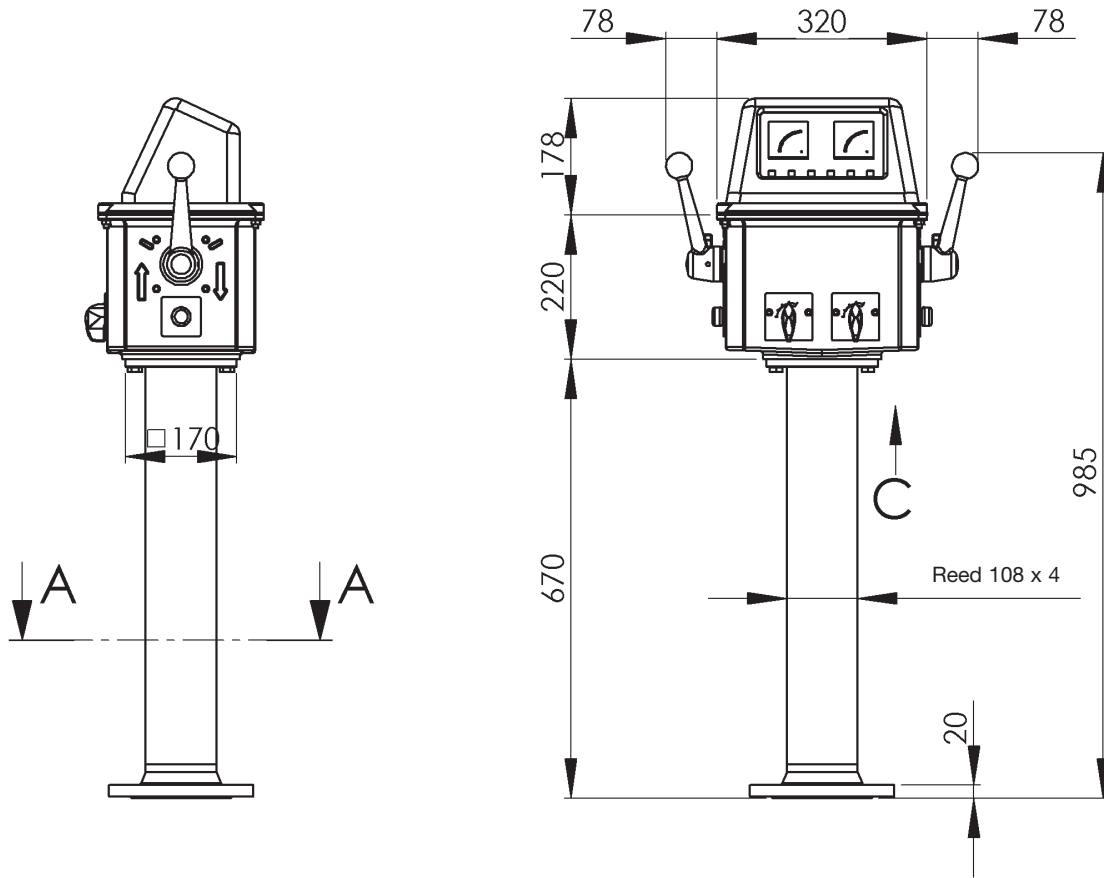


Ø 9, mounting
at the top

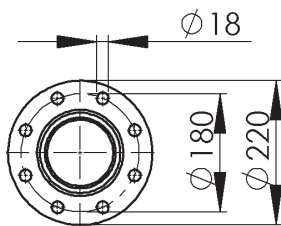
M 12, 20 deep (Helicoil)
mounting at the bottom

Gasket

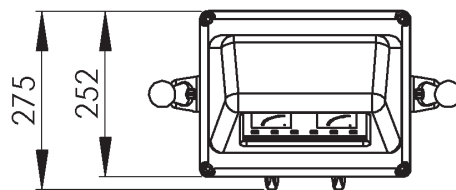
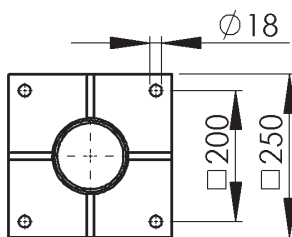
View C



View A - A
Flange NW 100 DIN 2633



option flange 250 x 250



View C
(without pedestal)

