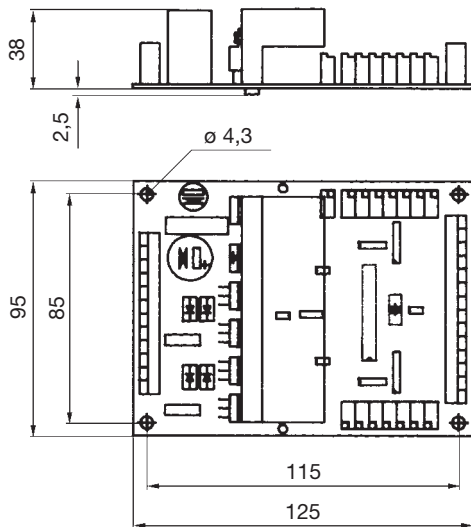


Type ES/43-10-...



The electronic control unit ES / 43 serves for control of proportional valves without position control.

Features:

- Stabilized voltage
- Chopper output stage with adjustable frequency
- Ramp time setting ON / OFF delay
- Creep speed circuit adjustable
- Solenoid current setting separate for minimum current and maximum current
- Output current controlled independently of temperature and solenoid
- Power output short-circuit-proof with overload protection
- Voltage input protected against polarity reversal
- Mechanical selection of direction by means of contacts
- Actuation of 4 proportional valves solenoid connections drawing ES / 43-10
- Actuation of 2 proportional valves solenoid connections drawing ES / 43-11
- LED operating voltage and working display
- Microprocessor technology therefore especially adaptable

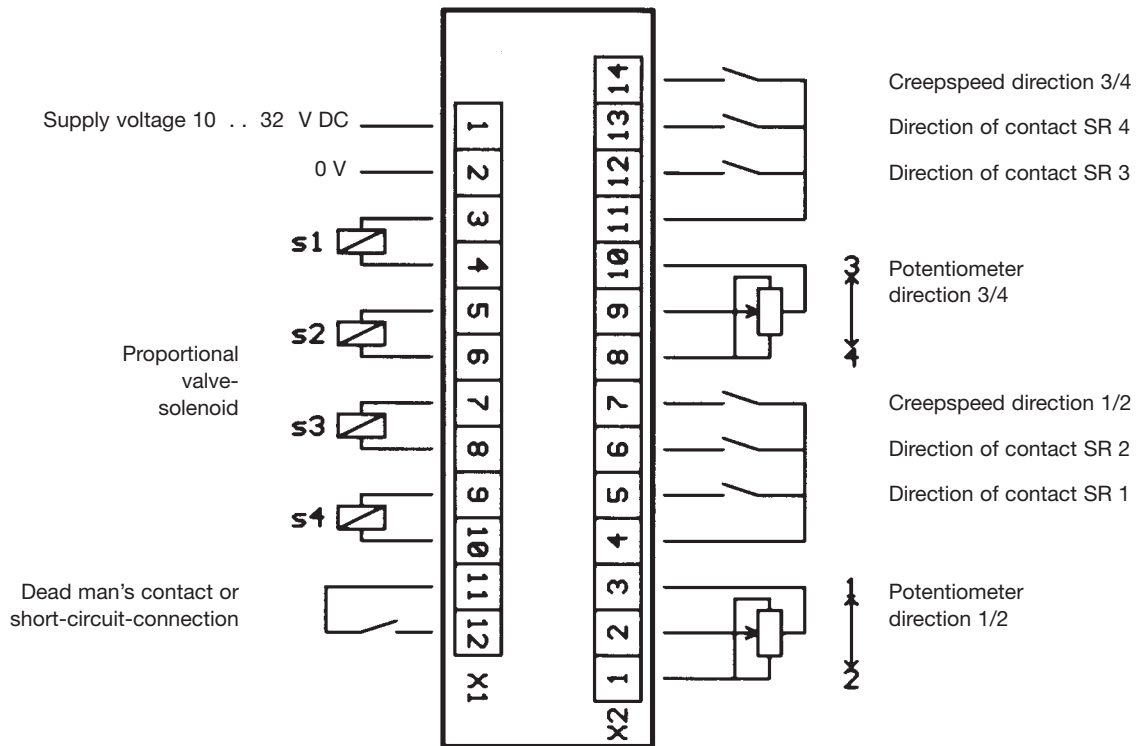
Characteristics:

- Supply voltage 10 ... 32 V DC
- Residual ripple 20%
- Control voltage range Ue 0 ... 5 V
- Control current Ie < 1 mA
- Dither frequency f 25 ... 250 Hz
- Proportional valve S 1-4
- Output I min. 0 ... 1 A
- Output I max. = I min ... 2 A at 12 Volt
- Output I max. = I min ... 1 A at 24 Volt
- Ramp time setting
- t on 0,2 ... 25 sec
- t off 0,2 ... 25 sec
- Creep speed variable reduction 25 ... 75%
- Operating temperature -20°C to +60°C
- Storage temperature -40°C to +80°C

Pos.				Weight gramm	Type	Price EURO
1	Electronic control unit for 4 proportional valves solenoid			250	ES/43-10	
2	Electronic control unit for 2 proportional valves solenoid			200	ES/43-11	
3						



ES / 43-10 4 Proportional valves-solenoid



ES / 43-11 2 Proportional valves-solenoid

