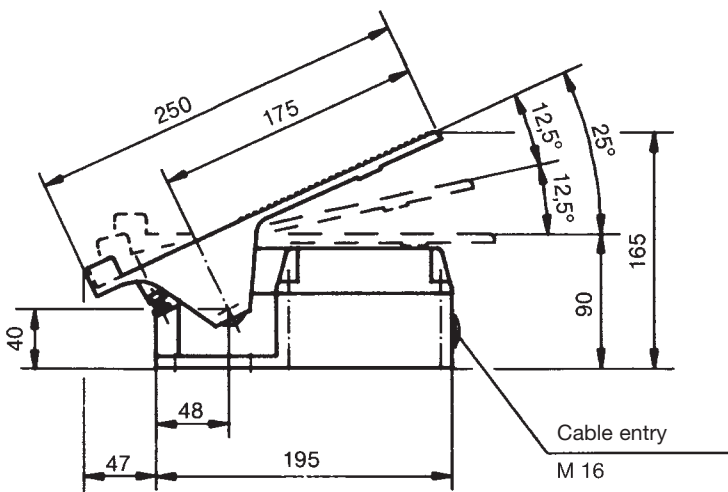


Type P7-1ZP-...

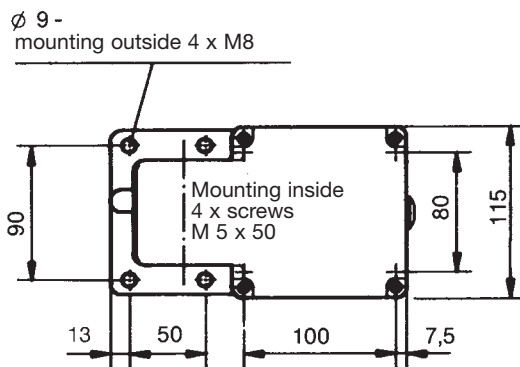
The pedal-controller P 7 and PP 7 is a rugged switching devices to IEC 947-5-1 EN 60 947 DIN VDE 0660-200, for footing applications.

Contact complement 2 A 250 V AC 15 res. 3 A 24 V DC 13

Surface treatment		Primer, top coat: 2 coats of epoxy-resin paint, standard colour RAL 7032 pebble-grey textured varnish
Mechanical life	P 7 PP 7	6 million operating cycles 10 million operating cycles
Permissible ambient temperature		Operation -40° C to +60° C Storage -50° C to +80° C
Climate resistance		DIN IEC 68 part 2-3
Damp heat constant		DIN IEC 68 part 2-30
Damp heat cyclic		IP 54 IEC 529 DIN 40050
Degree of protection	P 7 PP 7	IP 65 IEC 529 DIN 40050



View at the top without rocker

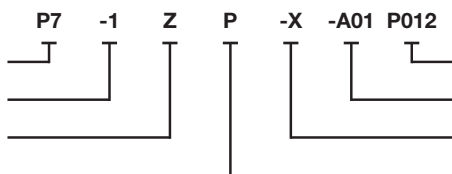


Example for type-sign

Pedal-controller

No. of contacts

Spring return



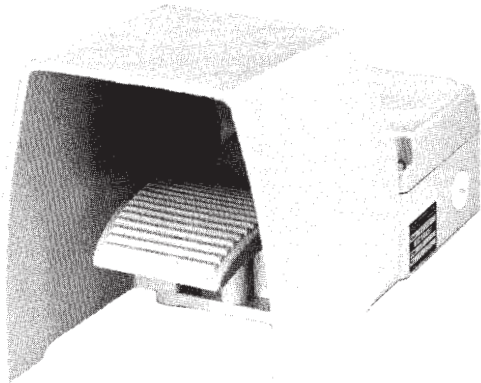
Potentiometer description

Arrangement

special please describe

Potentiometer e.t.c.

Pos.		Type-expansion	Weight gramm	Type	Price EURO
1	Pedal-controller standard version		1700	P 7	
2	Pedal-controller heavy-duty version		1800	PP 7	
4	Switching sequence max. 0-4 or max. 2-0-2		150		
8	No. of contacts (microswitch) max. 6 pcs.		30	1	
9	Switching program according contact-arrangement MS look catalog 5/001 or to your contact-arrangement	A...	40	2	
10			50	3	
11	Spring return in 0-position		100	Z	
12	Friction brake		50	R	
15	Potentiometer e.t.c. with mounted Wire-wound potentiometer T 129 linear 1,5 Watt wiper current max. 10 mA resistance 1k \geq P012, 2k \geq P013, 4k \geq P014, 10k \geq P015	P01 \square	70	P	
16	Prepared for mounting potentiometer shaft 6 mm adjusting-angel 300°			(P)	
17	More potentiometer e.t.c. look catalog 1/240...	P...			



Type P8-1ZP-...

The pedal-controller P 8 and PP 8 is a rugged switching devices to IEC 947-5-1 EN 60 947 DIN VDE 0660-200, for footing applications.

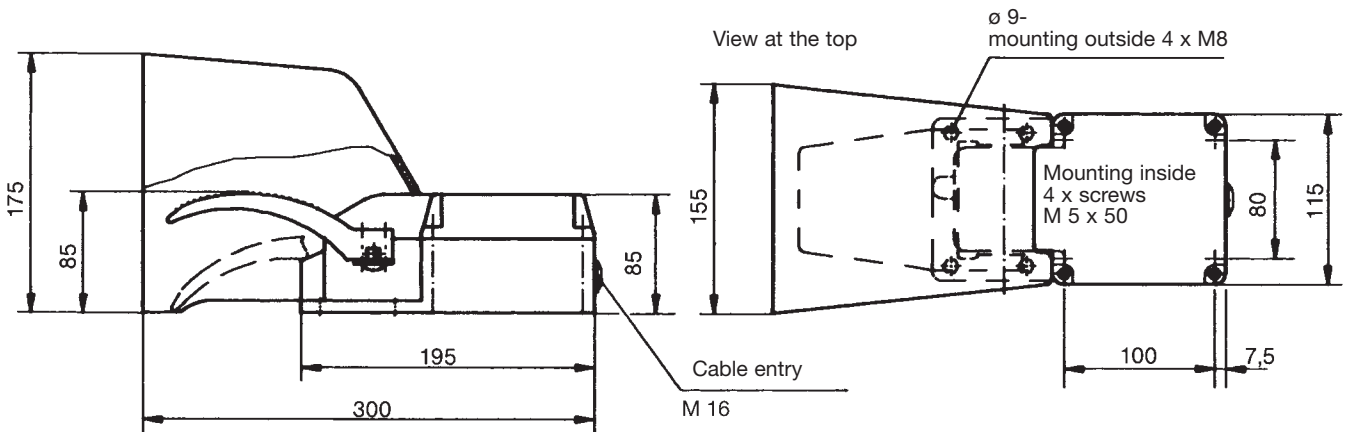
Contact complement 2 A 250 V AC 15 res. 3 A 24 V DC 13

Surface treatment: Primer, top coat: 2 coats of epoxy-resin paint, standard colour RAL 7032 pebble-grey textured varnish

Mechanical life P 8 6 million (operating cycles)
PP 8 10 million (operating cycles)

Permissible ambient temperature Operation -40° C to +60° C
Storage -50° C to +80° C

Climate resistance
Damp heat constant DIN IEC 68 part 2-3
Damp heat cyclic DIN IEC 68 part 2-30
Degree of protection P 8 IP 54 IEC 529 DIN 40050
PP 8 IP 65 IEC 529 DIN 40050

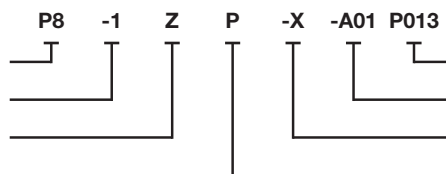


Example for type-sign

Pedal-controller

No. of contacts

Spring return



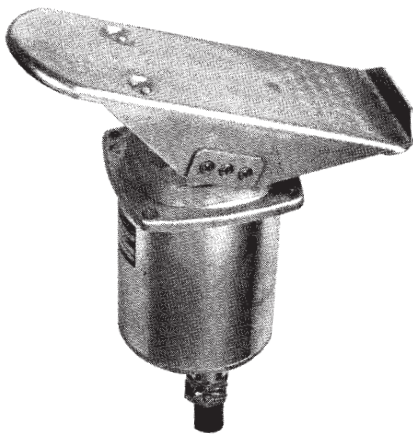
Potentiometer description

Arrangement

special please describe

Potentiometer e.t.c.

Pos.		Type-expansion	Weight gramm	Type	Price EURO
1	Pedal-controller standard version		2500	P 8	
2	Pedal-controller heavy-duty version		2600	PP 8	
4	Switching sequence max. 0-4		150		
8	No. of contacts (microswitch) max. 6 pcs.		30	1	
9	Switching program according contact-arrangement MS look catalog 5/001	A...	40	2	
10	or to your contact-arrangement		50	3	
11	Spring return in 0-position		100	Z	
12	Friction brake adjustable		50	R	
15	Potentiometer e.t.c. with mounted Wire-wound potentiometer T 129 linear 1,5 Watt wiper current max. 10 mA resistance 1k \triangleq P012, 2k \triangleq P013, 4k \triangleq P014, 10k \triangleq P015	P01 \square	70	P	
16	Prepared for mounting potentiometer shaft 6 mm adjusting-angle 300°			(P)	
17	More potentiometer e.t.c. look catalog 1/240...	P...			



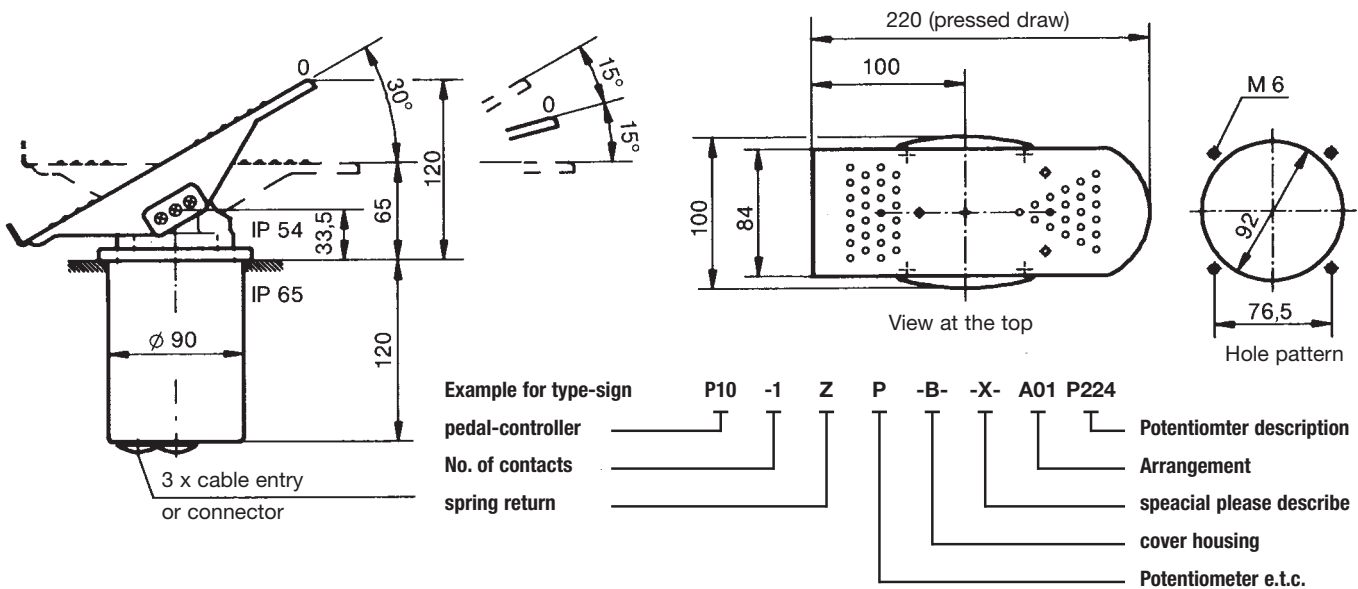
Type P10-1ZP-B...

The pedal-controller P 10 / P 11 is a rugged switching device to IEC 947-5-1 EN 60947 DIN VDE 0660-200 for electro-hydraulic applications. The modular design enables the switching device to be used universally. The P 10 / P 11 is resistant to oil, maritime climate, ozone and UV radiation.

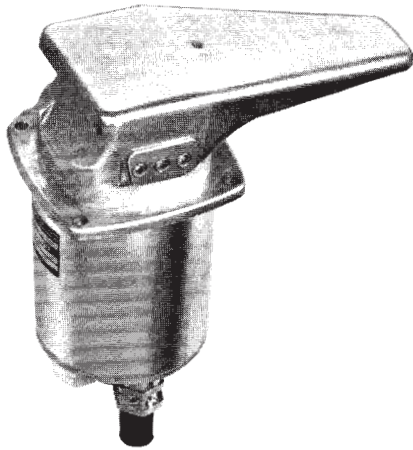
**Contact complement 0,5 A 110 V AC 15 res. 1,5 A 24 V DC 13
I min > 0,2 mA 2 V DC 12 Gold plated for max. load of 0,12 Watt (standard)**

Mechanical life	8 million (operating cycles)
Permissible ambient temperature	Operation -40° C to +60° C Storage -50° C to +80° C
Climate resistance	
Damp heat constant	DIN IEC 68 part 2-3
Damp heat cyclic	DIN IEC 68 part 2-30
Degree of protection front	IP 54 IEC 529 DIN 40050

Technical data look catalog 5/100



Pos.		Type-expansion	Weight gramm	Type	Price EURO
1	Pedal-controller standard version		1300	P 10	
2	Pedal-controller centre position notching max. 1-0-1		1300	P 11	
3	Switching sequence max. 0-3				
7	No. of contacts (microswitch) max. 3 pcs.		20	1	
8	Switching program according contact-arrangement MS look catalog 5/001	A...	40	2	
9	or to your contact-arrangement		60	3	
11	Spring return in 0-position		30	Z	
12	Friction brake adjustable		30	R	
15	Potentiometer e.t.c. with mounted Conductive-plastic potentiometer T 362 linear with centre tap life 10 ⁷ switching cycles Resistance 2 x 5 kOhm 0,5 Watt wiper current max. 1 mA	P224 □	70	P	
16	Prepared for mounting potentiometershaft 6 mm adjusting angle 120°	P...		(P)	
17	More potentiometer e.t.c. look catalog 1/240...				
18	Impedance converter Input ± 15 Volt, output ± 10 Volt / 5 mA	I...		I	
20	Cover housing		300	B	
21	Filter plug M 20 for air-condition		20		
22	Cable entry M 20		30		
23	Plug in socket 14-pole female insert CPC 17 wired		150		
24	Connector 14-pole male insert CPC 17 unwired		150		
25	Wiring plug in socket or connector each wired-connection				
26	Electronic (Amplifier, Profi-Bus, CAN-Bus) look catalog 3/510/...	E...			



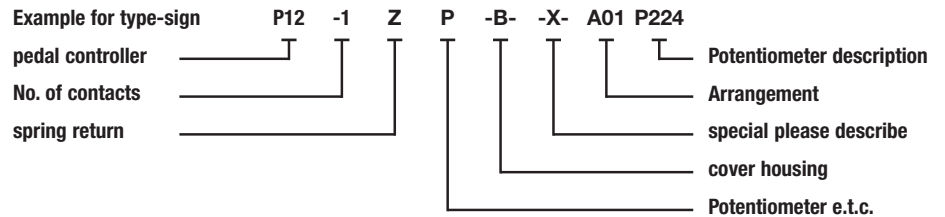
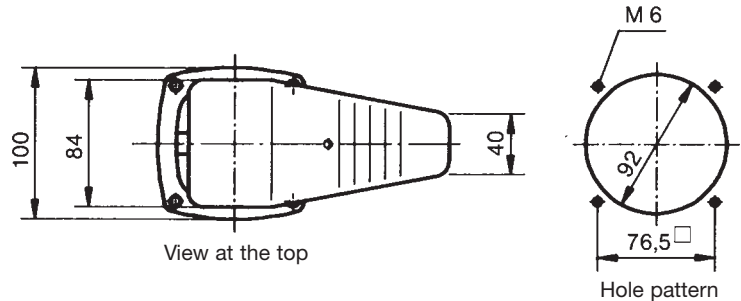
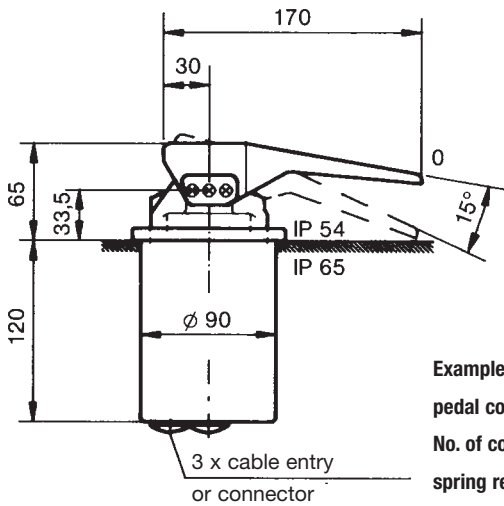
Type P12-1ZP-B...

The pedal-controller P 12 is a rugged switching device to IEC 947-5-1 EN 60947 DIN VDE 0660-200 for electro-hydraulic applications. The modular design enables the switching device to be used universally. The P 12 is resistant to oil, maritime climate, ozone and UV radiation.

Contact complement 0,5 A 110 V AC 15 res. 1,5 A 24 V DC 13
I min > 0,2 mA 2 V DC 12 Gold plated for max. load of 0,12 Watt (standard)

Mechanical life	8 million (operating cycles)
Permissible ambient temperature	Operation -40° C to +60° C Storage -50° C to +80° C
Climate resistance	
Damp heat constant	DIN IEC 68 part 2-3
Damp heat cyclic	DIN IEC 68 part 2-30
Degree of protection front	IP 54 IEC 529 DIN 40050

Technical data look catalog 5/100



Pos.		Type-expansion	Weight gramm	Type	Price EURO
1	Pedal-controller standard version		1300	P 12	
2					
3	Switching sequence max. 0-3				
7	No. of contacts (microswitch) max. 3 pcs.		20	1	
8	Switching program according contact-arrangement MS look catalog 5/001	A...	40	2	
9	or to your contact-arrangement		60	3	
11	Spring return in 0-position		30	Z	
12	Friction brake adjustable		30	R	
15	Potentiometer e.t.c. with mounted Conductive-plastic potentiometer T 362 linear life 10 ⁷ switching cycles Resistance 5 kOhm 0,5 Watt wiper current max. 1 mA	P224 □	70	P	
16	Prepared for mounting potentiometershaft 6 mm adjusting angle 120°			(P)	
17	More potentiometer e.t.c. look catalog 1/240...	P...			
18	Impedance converter Input + 15 Volt, output + 10 Volt / 5 mA	I...		I	
20	Cover housing		300	B	
21	Filter plug M 20 for air-condition		20		
22	Cable entry M 20 with anti-kink protection and strain relief		30		
23	Plug in socket 14-pole female insert CPC 17 wired		150		
24	Connector 14-pole male insert CPC 17 unwired		150		
25	Wiring plug in socket or connector each wired-connection				
26	Electronic (Amplifier, Profi-Bus, CAN-Bus) look catalog 3/510/...	E...			