



The portable control unit TS 1 accommodates all the devices necessary for control and monitoring. The chest panel and straps enable the operator to carry it without becoming tired. An adjustable carrying strap can also be fitted for use without the chest plate.

The control console is made of polyester (glass fibre reinforced plastic).  
Colour RAL 7032 pebble-grey.  
It can also be supplied as RAL 1018 yellow.

Permissible ambient temperature

Operation -40° C to +60° C  
Storage -50° C to +80° C

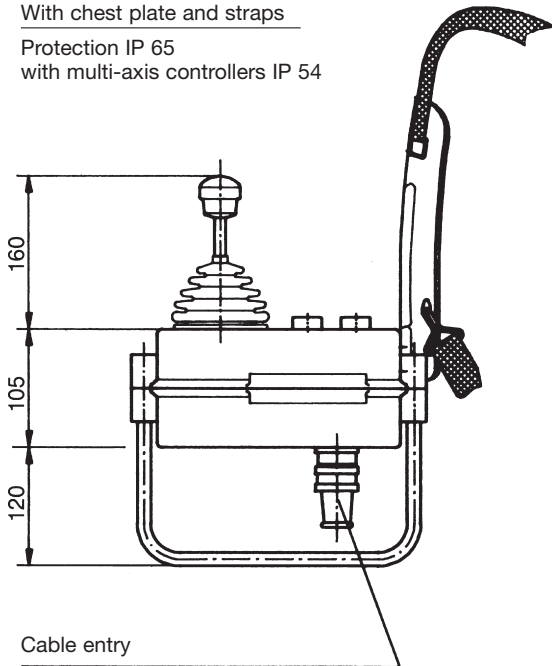
Climate resistance  
Damp heat constant  
Damp heat cyclic  
Degree of protection

DIN IEC 68 part 2-3  
DIN IEC 68 part 2-30  
control unit IP 65 with  
multi-axis controller IP 54  
to IEC 529 DIN 40050

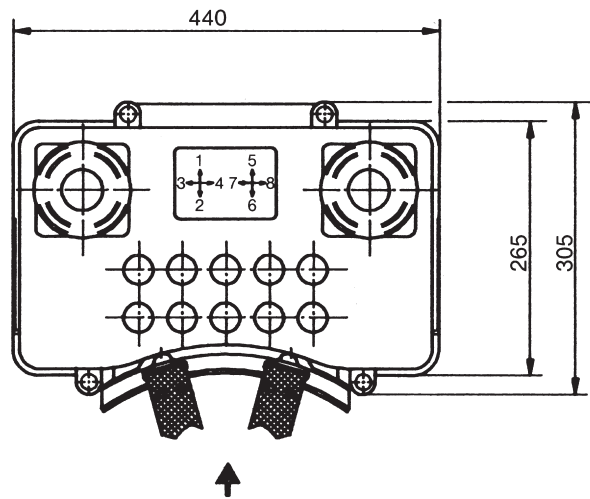
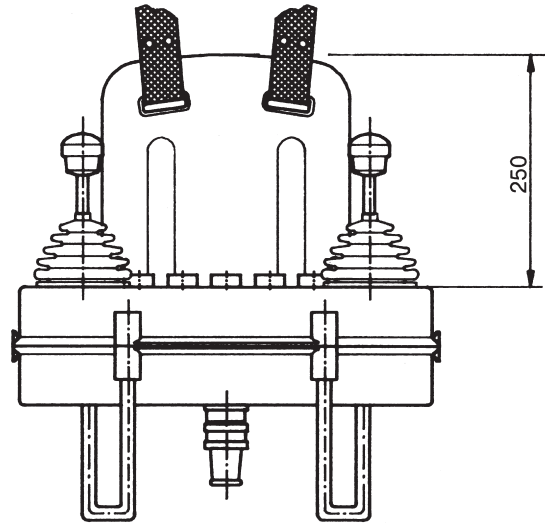
Pos.			Weight gramm	Part No.	Type	Price EURO
1	Control unit with chest plate and straps		3300		TS 1	
2	Control unit with straps		3000		TS 11	
3						
4	Plastic housing with surface resistance of less than < 10 <sup>9</sup> Ohm/cm					
5	Legs for control unit alu-tube 2 pieces		320			
6	Legs for control unit stainless steel-tube V2 A 2 pieces		600			
7	Reeling hooks for control unit stainless steel V2 A		1200			
8	Cable entry M 32 for cable 11-21 mm or M 40 for cable 19-28 mm		80			
9						
10	Multi-axis controller	look catalog 1/100				
11	Single-axis controller	look catalog 1/200				
12						
13	Control-switch	look catalog 1/220				
14	Command and indicating devices	look catalog 1/360				
15	Plug in socket 16-pole male insert	HAN 16 E without wiring	200			
16	Connector 16-pole female insert	HAN 16 E without wiring	250			
17	Plug in socket 24-pole male insert	HAN 24 E without wiring	320			
18	Connector 24-pole female insert	HAN 24 E without wiring	340			
19	Plug in socket 32-pole male insert	HAN 32 A without wiring	380			
20	Connector 32-pole female insert	HAN 32 A without wiring	400			
21	Cable Oelflex 18 x 1 mm <sup>2</sup> 13,4 mm ø	-5° C to +80° C each metre	320			
22	Cable Oelflex 25 x 1 mm <sup>2</sup> 15,4 mm ø	-5° C to +80° C each metre	450			
23	Cable Oelflex 34 x 1 mm <sup>2</sup> 18,6 mm ø	-5° C to +80° C each metre	600			
24	Cable Neoflex 18 x 1 mm <sup>2</sup> 19,2 mm ø	-30° C to +80° C each metre	470			
25	Cable Neoflex 24 x 1 mm <sup>2</sup> 22,1 mm ø	-30° C to +80° C each metre	650			
26	Cable Neoflex 36 x 1 mm <sup>2</sup> 26,1 mm ø	-30° C to +80° C each metre	910			
27						
30	Terminal block 2,5 mm <sup>2</sup> without wiring each terminal				KL	
31	Terminal block 2,5 mm <sup>2</sup> with wiring wire 1,5 mm <sup>2</sup> each terminal				KL	
32	Wired plug in socket, connector or cable each wire terminal					
33						
34						
40	Indicating labels not engraved with 2 or 4 arrows					
41	Engraved each 10 characters					



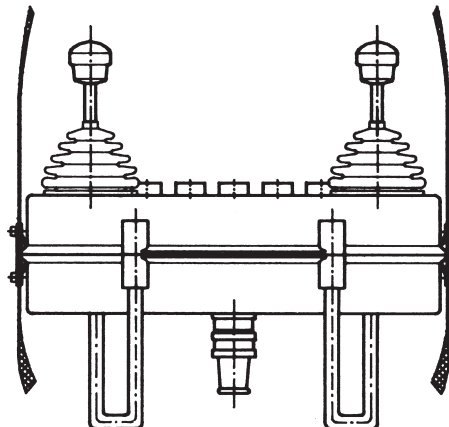
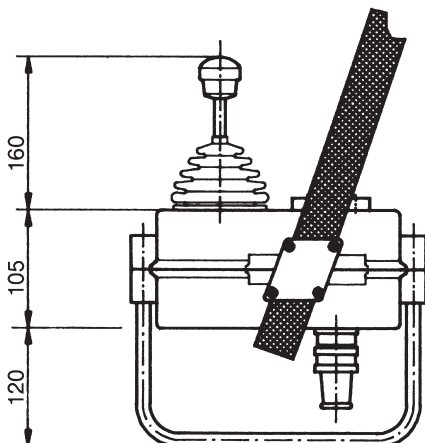
With chest plate and straps  
Protection IP 65  
with multi-axis controllers IP 54



Cable entry  
with anti-kink protection and  
strain relief or connectors



With adjustable carrying strap  
Protection IP 65  
with multi-axis controllers IP 54





The portable control unit TS 2 accommodates all the devices necessary for control and monitoring. The chest panel and straps enable the operator to carry it without becoming tired. An adjustable carrying strap can also be fitted for use without the chest plate.

The control console is made of polyester (glass fibre reinforced plastic). Colour RAL 7032 pebble-grey. It can also be supplied as RAL 1018 yellow.

Permissible ambient temperature

Operation -40° C to +60° C  
Storage -50° C to +80° C

Climate resistance  
Damp heat constant  
Damp heat cyclic  
Degree of protection

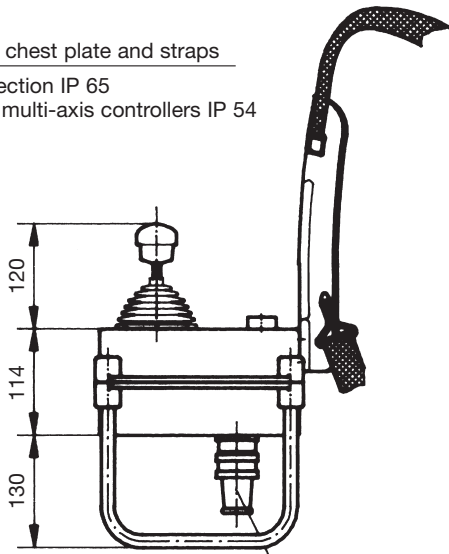
DIN IEC 68 part 2-3  
DIN IEC 68 part 2-30  
control unit IP 65 with  
multi-axis controller IP 54  
to IEC 529 DIN 40050

Pos.			Weight gramm	Part No.	Type	Price EURO
1	Control unit with chest plate and straps		2400		TS 2	
2	Control unit with straps		2100		TS 21	
3	Control unit with bracket and straps		2400		TS 22	
4	Plastic housing with surface resistance of less than < 10 <sup>9</sup> Ohm/cm					
5	Legs for control unit alu-tube 2 pieces		320			
6	Legs for control unit stainless steel-tube V2 A 2 pieces		600			
7	Reeling hooks for control unit stainless steel V2 A		1200			
8	Cable entry M 32 for cable 11-21 mm or M 40 for cable 19-28 mm		80			
9	Cable entry 180° swivelling M 32 for cable 11-21 mm or M 40 for cable 19-28 mm		190			
10	Multi-axis controller	look catalog 1/100				
11	Single-axis controller	look catalog 1/200				
12						
13	Control-switch	look catalog 1/220				
14	Command and indicating devices	look catalog 1/360				
15	Plug in socket 16-pole male insert	HAN 16 E without wiring	200			
16	Connector 16-pole female insert	HAN 16 E without wiring	250			
17	Plug in socket 24-pole male insert	HAN 24 E without wiring	320			
18	Connector 24-pole female insert	HAN 24 E without wiring	340			
19	Plug in socket 32-pole male insert	HAN 32 E without wiring	380			
20	Connector 32-pole female insert	HAN 32 E without wiring	400			
21	Cable Oelflex 18 x 1 mm <sup>2</sup> 13,4 mm ø	-5° C to +80° C each metre	320			
22	Cable Oelflex 25 x 1 mm <sup>2</sup> 15,4 mm ø	-5° C to +80° C each metre	450			
23	Cable Oelflex 34 x 1 mm <sup>2</sup> 18,6 mm ø	-5° C to +80° C each metre	600			
24	Cable Neoflex 18 x 1 mm <sup>2</sup> 19,2 mm ø	-30° C to +80° C each metre	470			
25	Cable Neoflex 24 x 1 mm <sup>2</sup> 22,1 mm ø	-30° C to +80° C each metre	650			
26	Cable Neoflex 36 x 1 mm <sup>2</sup> 26,1 mm ø	-30° C to +80° C each metre	910			
27						
30	Terminal block 2,5 mm <sup>2</sup> without wiring each terminal				KL	
31	Terminal block 2,5 mm <sup>2</sup> with wiring wire 1,5 mm <sup>2</sup> each terminal				KL	
32	Wired plug in socket, connector or cable each wire-connection					
33						
34						
40	Indicating labels not engraved with 2 or 4 arrows					
41	Engraved each 10 characters					



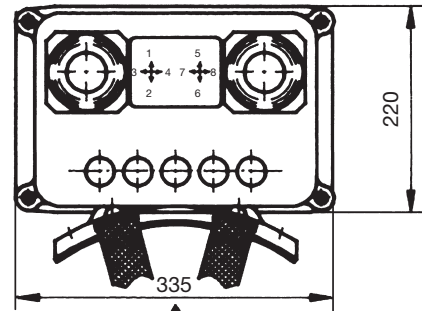
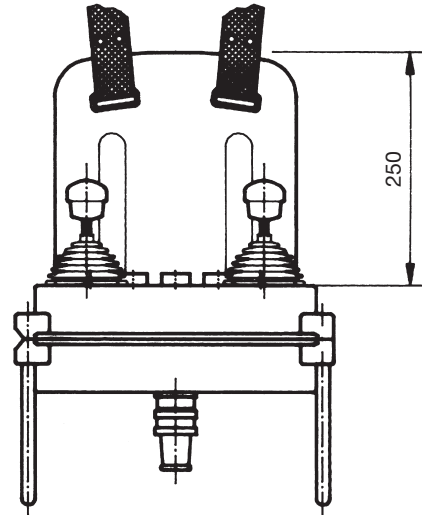
With chest plate and straps

Protection IP 65  
with multi-axis controllers IP 54



Cable entry

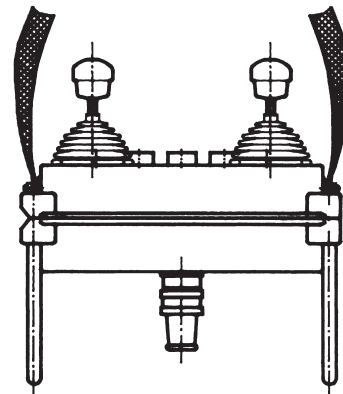
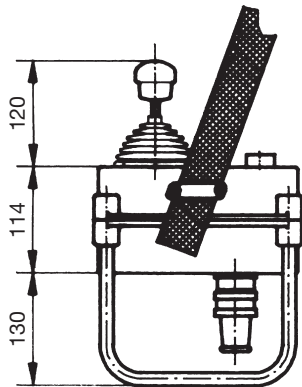
with anti-kink protection and  
stain relief or connectors



Direction of view

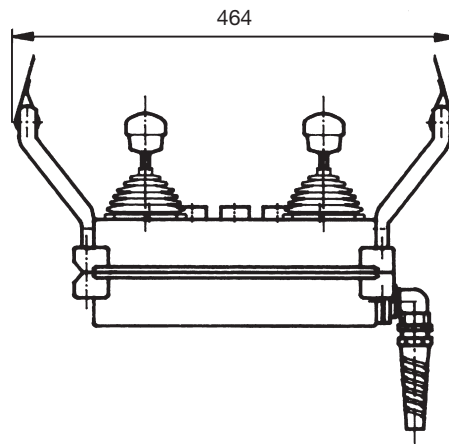
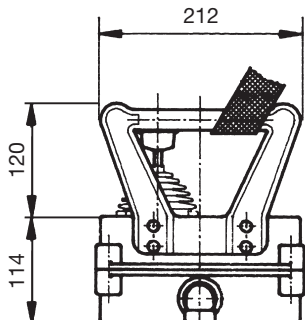
With adjustable carrying strap

Protection IP 65  
with multi-axis controllers IP 54



With bracket and cable entry swivelling

Protection IP 65 with multi-axis controllers IP 54



Cable entry 180°  
swivelling

with anti-kink protection  
and stain relief or connectors