

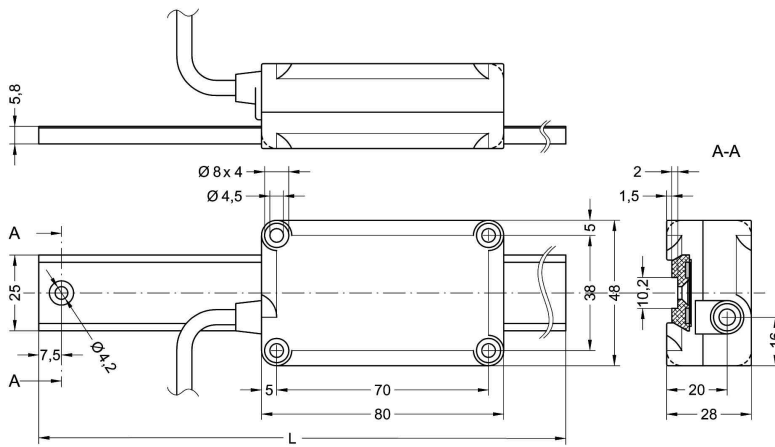
LINECOD

Guided absolute magnetic sensor

www.lika.biz

series

SMAG



SMAG

ENVIRONMENTAL SPECIFICATIONS

Operating temperature range:	-25°C ÷ +85°C (-13°F +185°F)
Storage temperature range:	-40°C ÷ +100°C (-40°F +212°F)
Protection:	IP67

MECHANICAL SPECIFICATIONS

Dimensions:	see drawing
Housing:	Nylon 6FC 30%
Connections:	cable 2.0 m, inline M12 connector
Travel speed:	typ. 0,5 m/s - max. 1m/s
Resolution:	0,1 / 0,05 / 0,01 / 0,005 mm
System accuracy (SMAG + MTAG):	± 50 µm max.
Repeatability:	± 1 increment
Measurement length:	Measurement length = profile length - 80 mm

ELECTRICAL SPECIFICATIONS

Power supply:	+10V ÷ +30V
Output circuit:	Gray, SSI
Output current:	40 mA max.
Power consumption:	1 W max.
Functions:	Zero setting (Preset) Counting direction
Protection:	against inversion of polarity

- Absolute ruler
- SSI interface
- Resolution up to 5 µm
- Unaffected by dust, debris or liquids

ORDERING CODE

